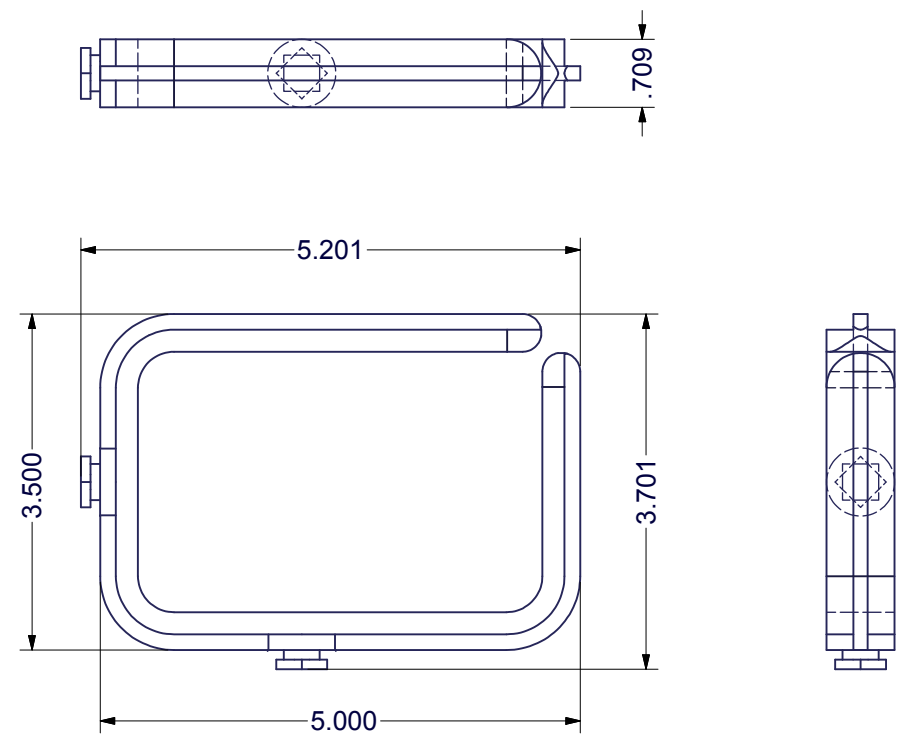
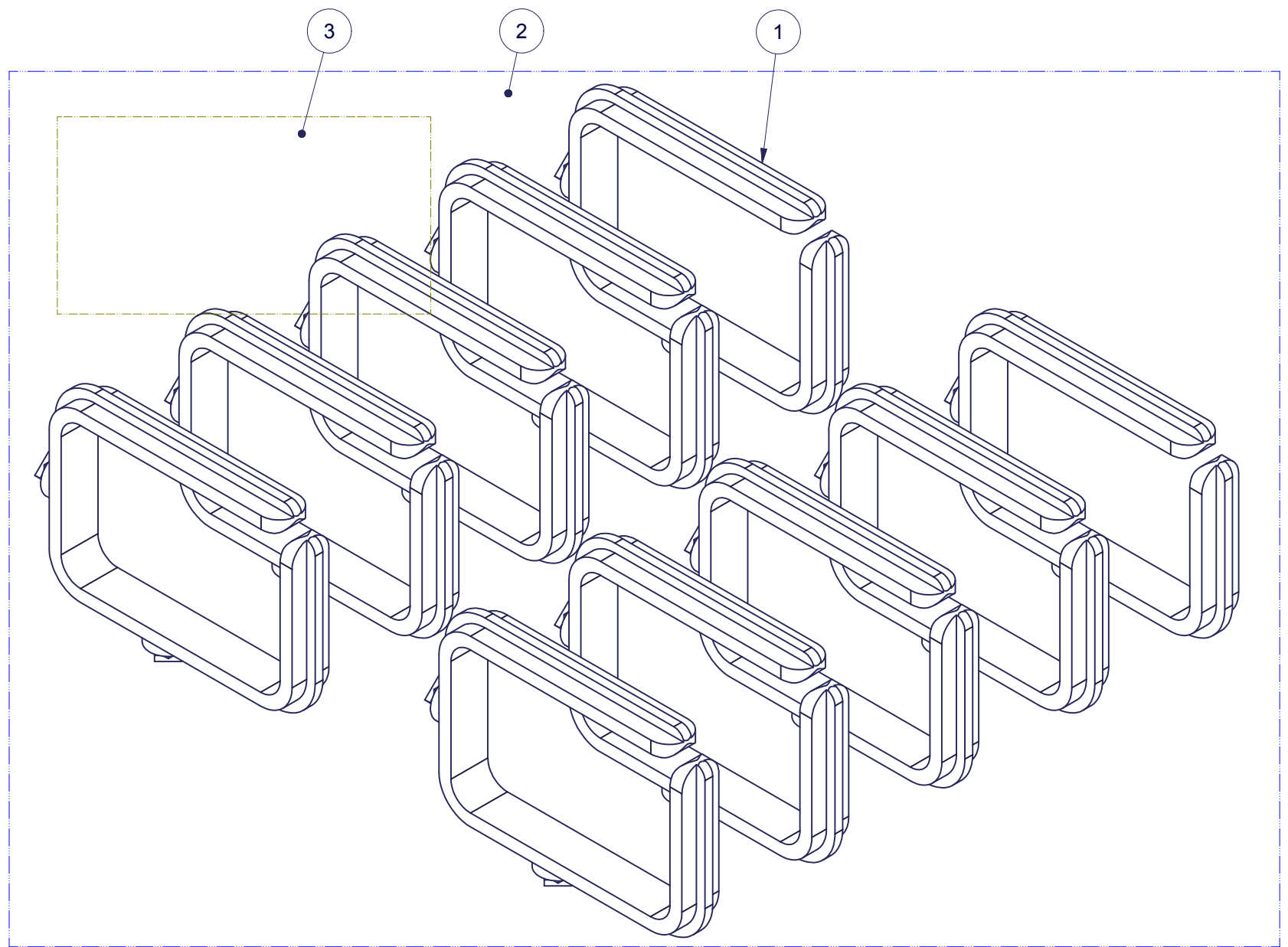


REVISION HISTORY			
REV	DESCRIPTION	DATE	APPROVED
0	ECO-06483	2/23/2015	FED

Bill of Material						
ITEM	PART NUMBER	STOCK #	QTY	DESCRIPTION	FILE NAME	Rev
1	VP-145		10	1/4 TURN D-RING CABLE MANAGER, LARGE VERSION - SIEMON VP-145	VP-145.ipt	-
2			1	SEALABLE POLYETHYLENE BAG (AS REQUIRED)	-	-
3			1	LABLE FOR CM26X200 BAGGED KIT	-	-



SPECIAL NOTE:

- 1) BAG (QTY10) 'D' RINGS IN POLY BAG OR BOX AND ATTACH LABEL TO OUTSIDE AS SHOWN.

EST. WEIGHT :
0.99 lbmass



INTERPRET DRAWING PER ASME Y14.5M-1994
DIMENSIONAL LIMITS APPLY
AFTER APPLICATION OF FINISH
DRAWING NOT TO SCALE
TOLERANCE UNLESS OTHERWISE NOTED:
ANGULAR +/- 1°
.XXXX +/- .010
.XXX +/- .015
.XX +/- .030
.X FOR REF. ONLY
UNLESS OTHERWISE SPECIFIED
ALL DIMENSIONS ARE IN INCHES

NOTICE:
Use of this document is subject to a confidentiality and nondisclosure agreement with Great Lakes Case & Cabinet Co., Inc. (GLCC) and may not be reproduced, disclosed or utilized in whole or in part without prior written authorization from GLCC.

PART NUMBER:	CM26X200
QTY PER UNIT:	1
MATERIAL TYPE:	SEE MAT'L LIST
MATERIAL GAUGE:	
FINISH:	NONE
DRAWN	DATE
FED	2/23/2015
CHECKED & APP.	DATE
WSS	2/23/2015

TITLE		KIT OF (10) 3.5" X 5" 1/4 TURN 'D' RINGS	
GREAT LAKES CASE & CABINET CO., INC.			
P.O. BOX 551 EDINBORO, PA 16412			
PHONE (814) 734-7303 FAX (814) 734-3907			
E-MAIL glcc@greatcabinets.com			
DWG NO.	REV	SHEET: 1 OF 1	
1022971	0		