



SERIOUS DATA SECURITY.
REAL SERIOUS.

SEAL-E1102

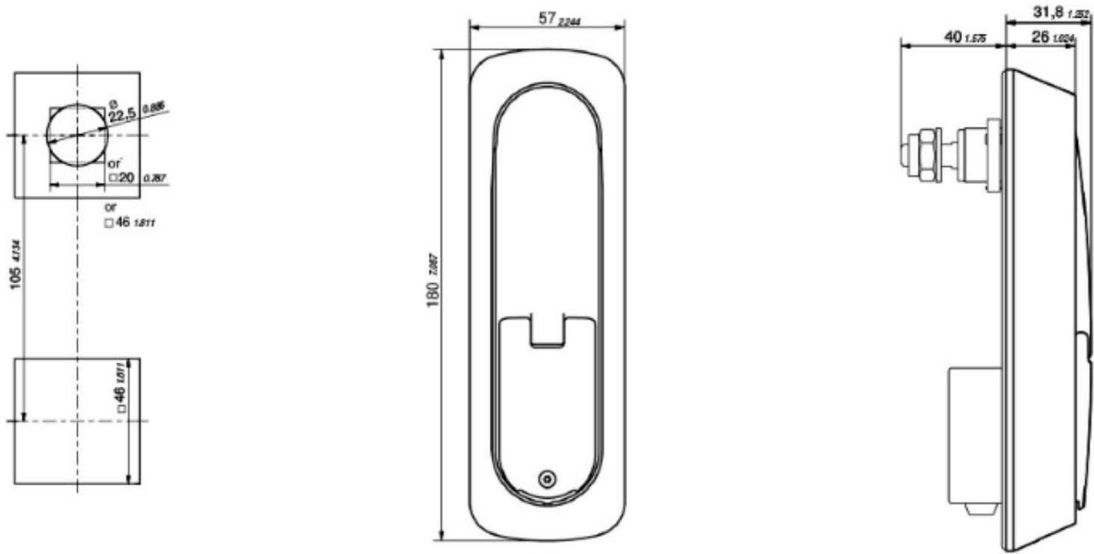


**THE SECURE ACCESS CONTROL SOLUTION FOR
OUTDOOR AND INDUSTRIAL CABINETS**

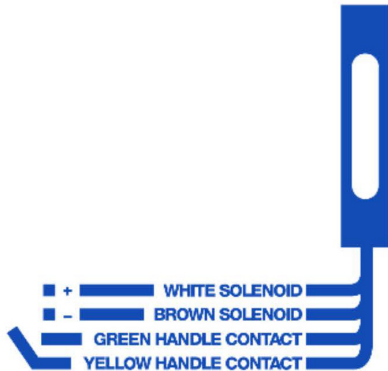
- Analog resistance-Class II according to DIN EN 1630:2011-09/RC2
- Vibration-proof according to DIN EN 61373 2011
- For inoor and outdoor applications
- Integrates into existing management systems
- Key over ride
- Use with SEAL-E5000 or other popular readers
- Ideal for integration with Great Lakes NEMA cabinets

See back page for handle specs

DIMENSIONS



CONNECTIONS



The SEAL-E1102 can be connected to all existing management systems for lock control. The positive/negative contacts for the electronic opening function of the swinghandle are therefore connected with the control module of the respective system. Together with the transferred status of the lever positions (open/closed) this can enable further evaluations. Whilst the management systems usually only display whether the cabinet door is "open" or "closed", with the SEAL-E1102 you have further possibilities.