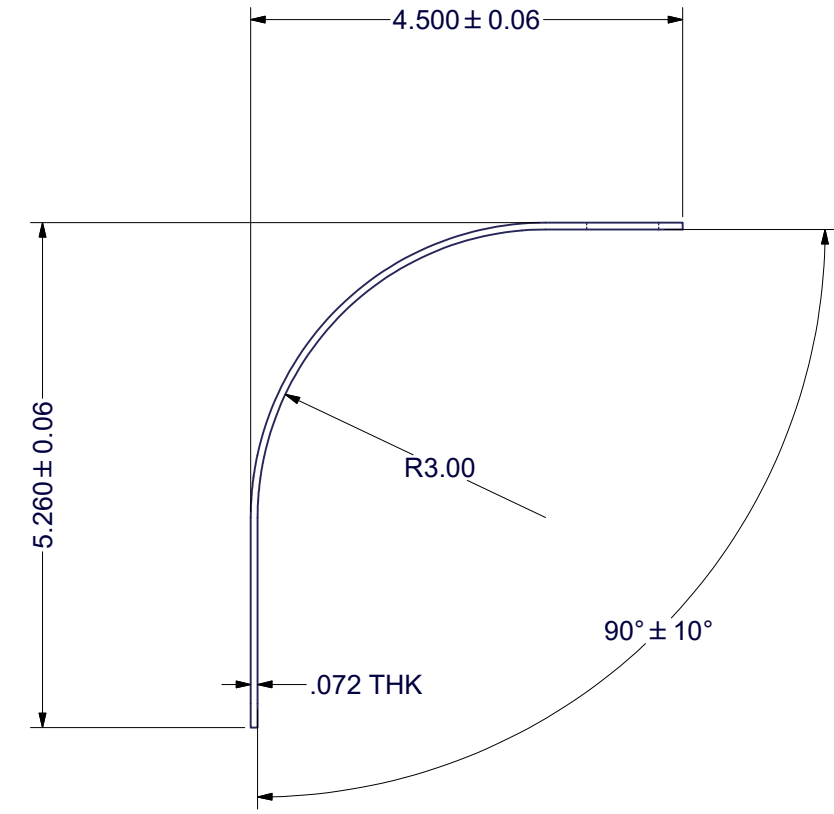
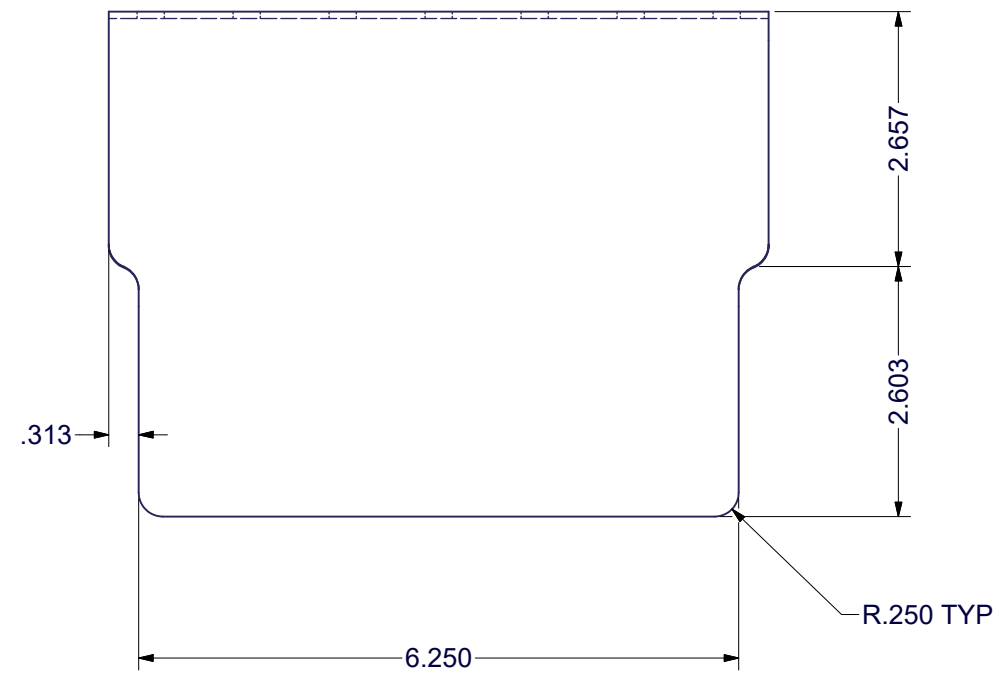
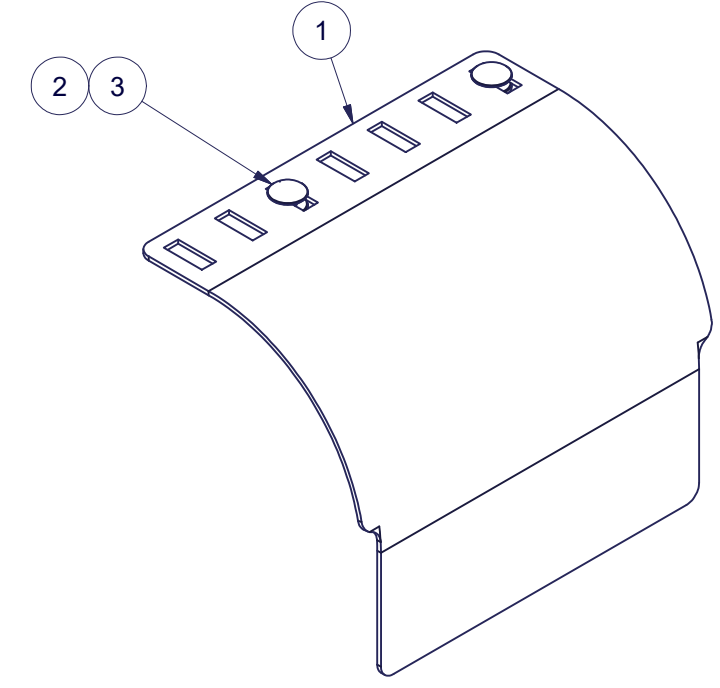
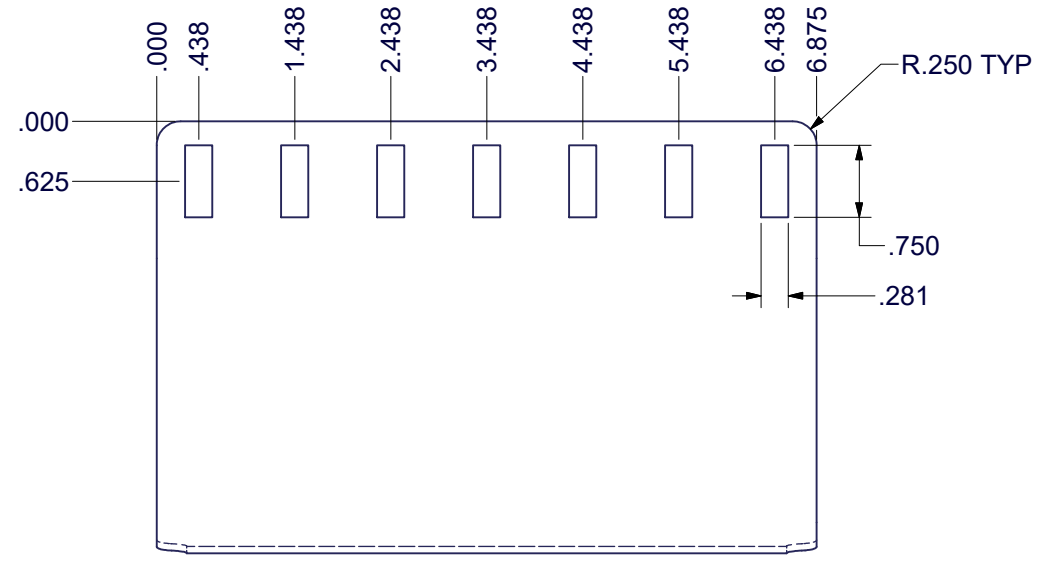


REVISION HISTORY			
REV	DESCRIPTION	DATE	APPROVED
0	ECO-07898	5/15/20	CND

Bill of Material						
ITEM	PART NUMBER	STOCK #	QTY	DESCRIPTION	FILE NAME	Rev
1			1	RADIUS DROP FOR FIXED 2"H LADDER RACK BRACKET, 6.5"W CABLE WAY	I032382.ipt	0
2		H02-014	2	1/4-20 HEX NUT w/SERRATED FLANGED LOCK NUT - ILS	2ZN143813.ipt	-
3		H04-001	2	1/4-20 X 1/2"L.G. CARRIAGE BOLT - ILS	2ZN746.ipt	-



- SPECIAL NOTES:**
- 1) TYPICAL BEND RADIUS = R0.030 x 90° INSIDE UNLESS OTHERWISE NOTED.
 - 2) DIMENSIONS APPLY BEFORE APPLICATION OF FINISH: ADD .005" TO EACH SURFACE FOR INSPECTION.
 - 3) ALL LASER CUTS TO HAVE "NORMAL" PROCESSING!
 - 4) FINISH PER TD-09-103 (POWDER COAT), CLASS B, TEXTURE LEVEL 3, ALL SURFACES UNLESS OTHERWISE NOTED.
 - 5) KIT HARDWARE WITH BRACKET.
 - 6) REFER TO PURCHASE ORDER

INTERPRET DRAWING PER ASME Y14.5M-1994 DIMENSIONAL LIMITS APPLY AFTER APPLICATION OF FINISH DRAWING NOT TO SCALE TOLERANCE UNLESS OTHERWISE NOTED: ANGULAR +/- 1° .XXXX +/- .010 .XXX +/- .015 .XX +/- .030 .X FOR REF. ONLY	NOTICE: Use of this document is subject to a confidentiality and nondisclosure agreement with Great Lakes Data Racks & Cabinets and may not be reproduced, disclosed or utilized in whole or in part without prior written authorization from Great Lakes.	PART NUMBER: 4PLRB2RD6X100	TITLE: RADIUS DROP FOR FIXED 2"H LADDER RACK BRACKET, 6.5"W CABLE WAY
		MATERIAL TYPE: CRS	GREAT LAKES DATA RACKS & CABINETS P.O. BOX 551 EDINBORO, PA 16412 PHONE (814) 734-7303 FAX (814) 734-3907 E-MAIL info@greatcabinets.com
EST. WEIGHT: N/A	THIRD ANGLE PROJECTION	DRAWN: CaiusD CHECKED & APP. CND	DATE: 5/15/2020 DATE: 5/15/20
		DWG NO: I032382	REV: 0
		SHEET: 1 OF 1	