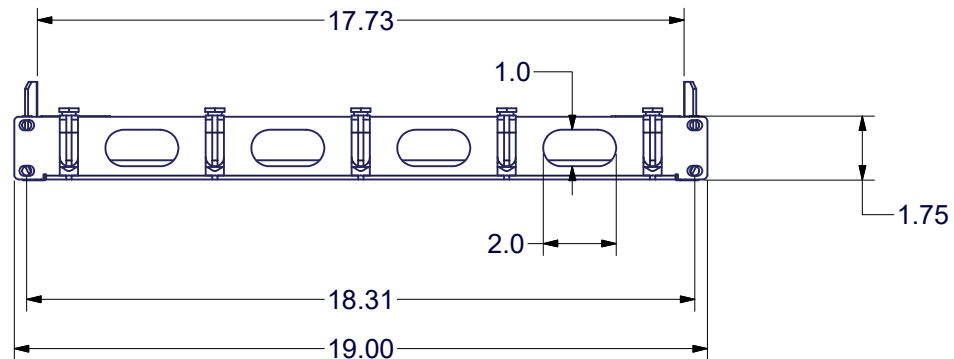
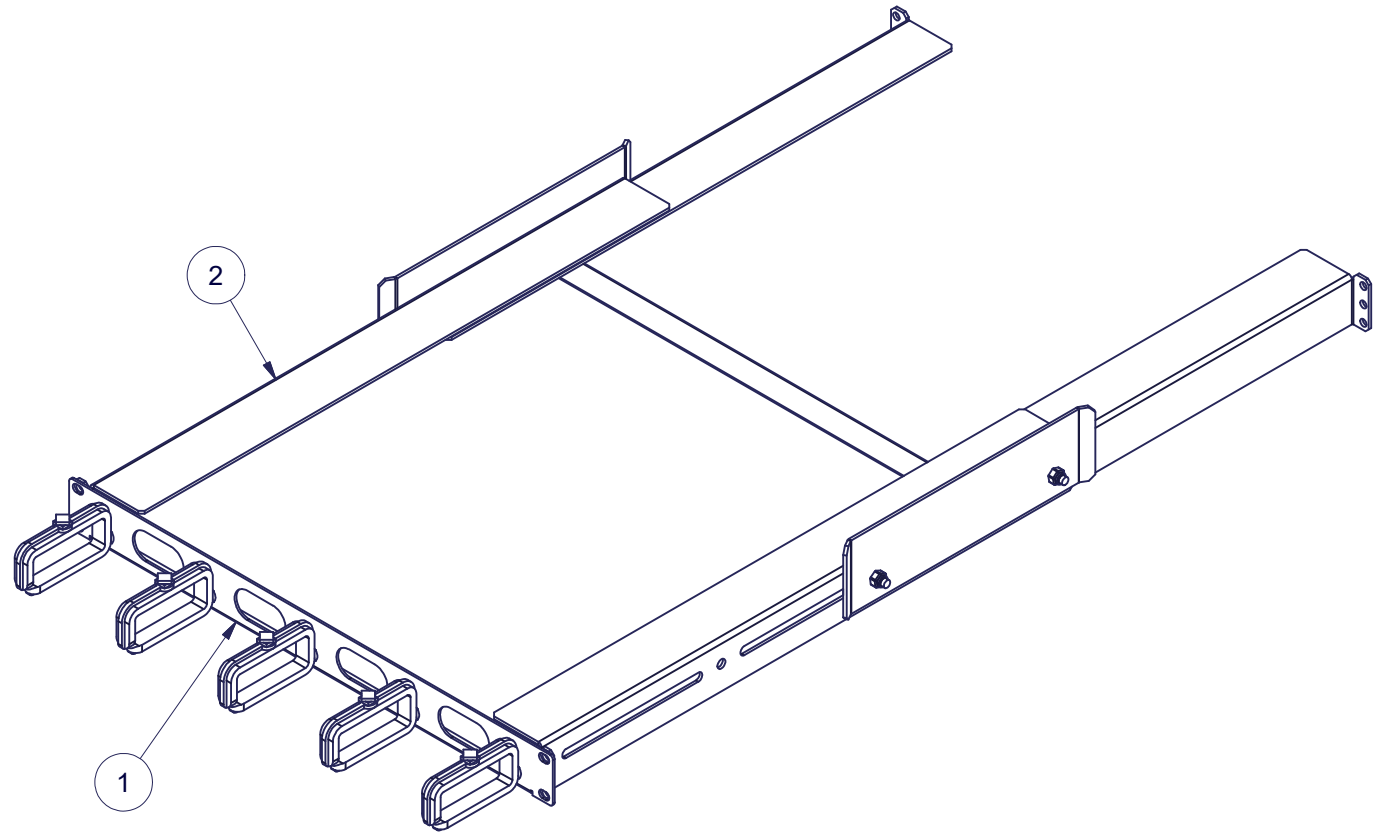
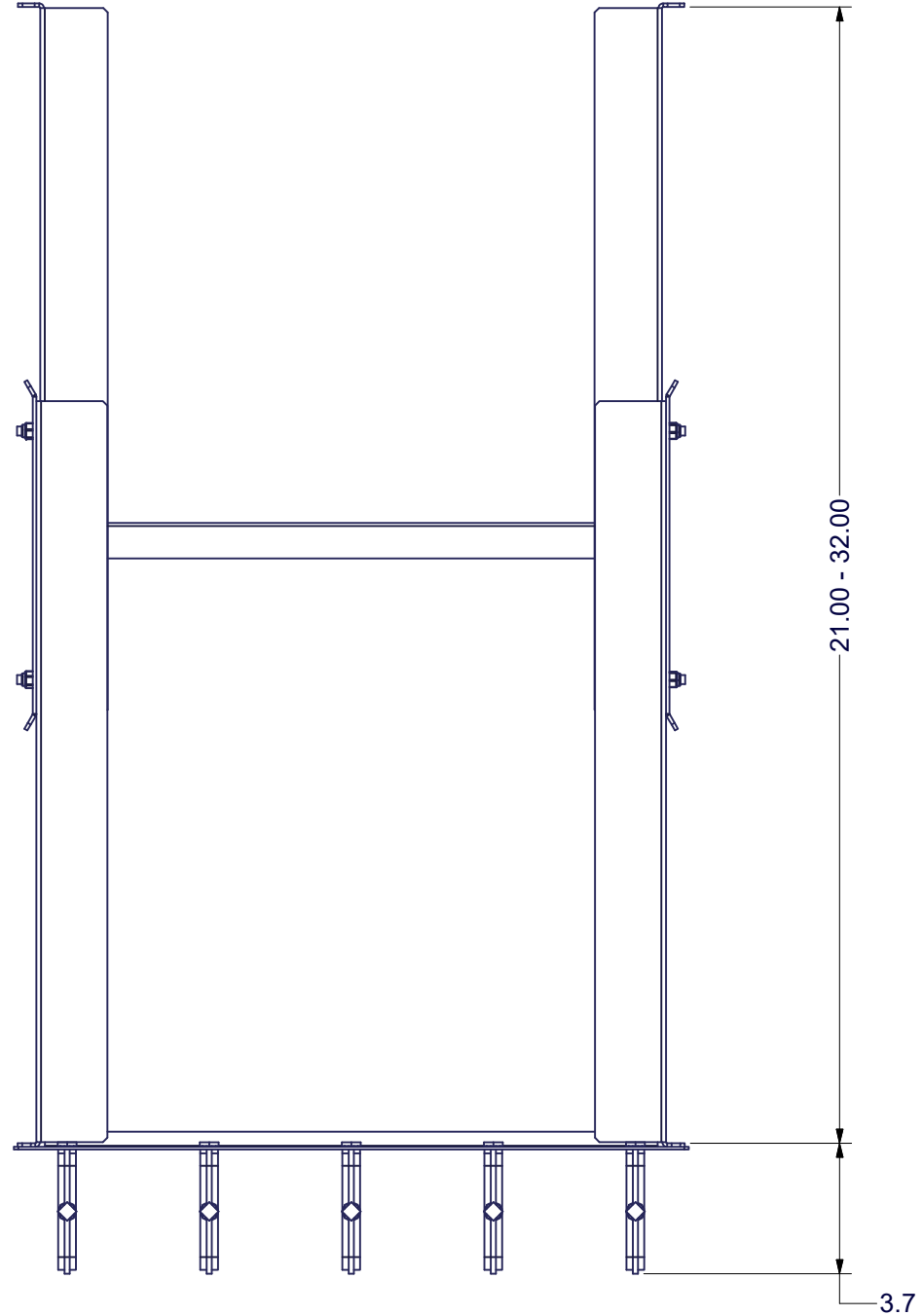


REVISION HISTORY			
REV	DESCRIPTION	DATE	APPROVED
0	ECO-07913	6/8/20	CND

Bill of Material					FILE NAME	Rev
ITEM	PART NUMBER	STOCK #	QTY	DESCRIPTION		
1	CM05PTX200		1	1 RMU x 19" EIA CABLE MANAGER WITH (5) 1/4-TURN CABLE RINGS & CABLE PASSTHRU	I031633.iam	0
2	ESF2132X200		1	EQUIPMENT SUPPORT FRAME SET FOR 21" TO 32" RAIL TO RAIL ADJUSTMENT, 19" EIA, TOP LEVEL	I032351.iam	0



SPECIAL NOTES:

- 1) SHIP BOTH ITEMS IN BOM TOGETHER AS KIT
- 2) ALL DIMENSIONS ARE REFERENCE ONLY
- 3) CUSTOMER TO INSTALL BOTH ITEMS NESTED IN SAME RU SPACE

EST. WEIGHT :
N/A



INTERPRET DRAWING PER ASME Y14.5M-1994
DIMENSIONAL LIMITS APPLY AFTER APPLICATION OF FINISH
DRAWING NOT TO SCALE
TOLERANCE UNLESS OTHERWISE NOTED:
ANGULAR +/- 1°
.XXXX +/- .010
.XXX +/- .015
.XX +/- .030
.X FOR REF. ONLY
UNLESS OTHERWISE SPECIFIED ALL DIMENSIONS ARE IN INCHES

NOTICE:

Use of this document is subject to a confidentiality and nondisclosure agreement with Great Lakes Data Racks & Cabinets and may not be reproduced, disclosed or utilized in whole or in part without prior written authorization from Great Lakes.

PART NUMBER:
ESF-CM-05PTX200
MATERIAL TYPE:
CRS
MATERIAL GAUGE:
FINISH:
-
DRAWN
CND
CHECKED & APP.
CND

TITLE
KIT OF ESF-2132 AND CM-05PT
GREAT LAKES DATA RACKS & CABINETS
P.O. BOX 551 EDINBORO, PA 16412
PHONE (814) 734-7303 FAX (814) 734-3907
E-MAIL info@greatcabinets.com
DWG NO:
I032417
REV
0
SHEET: 1 OF 1