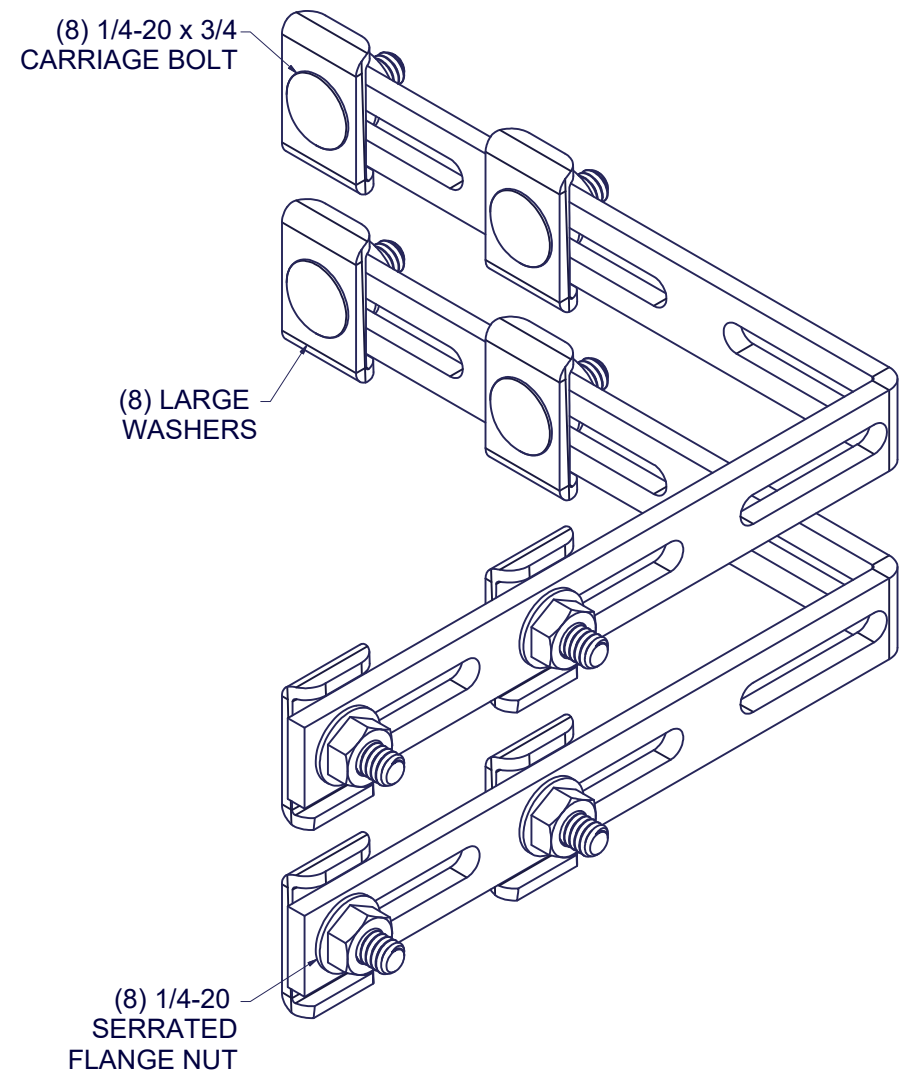
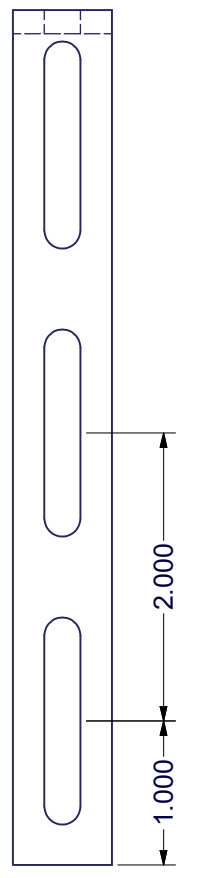
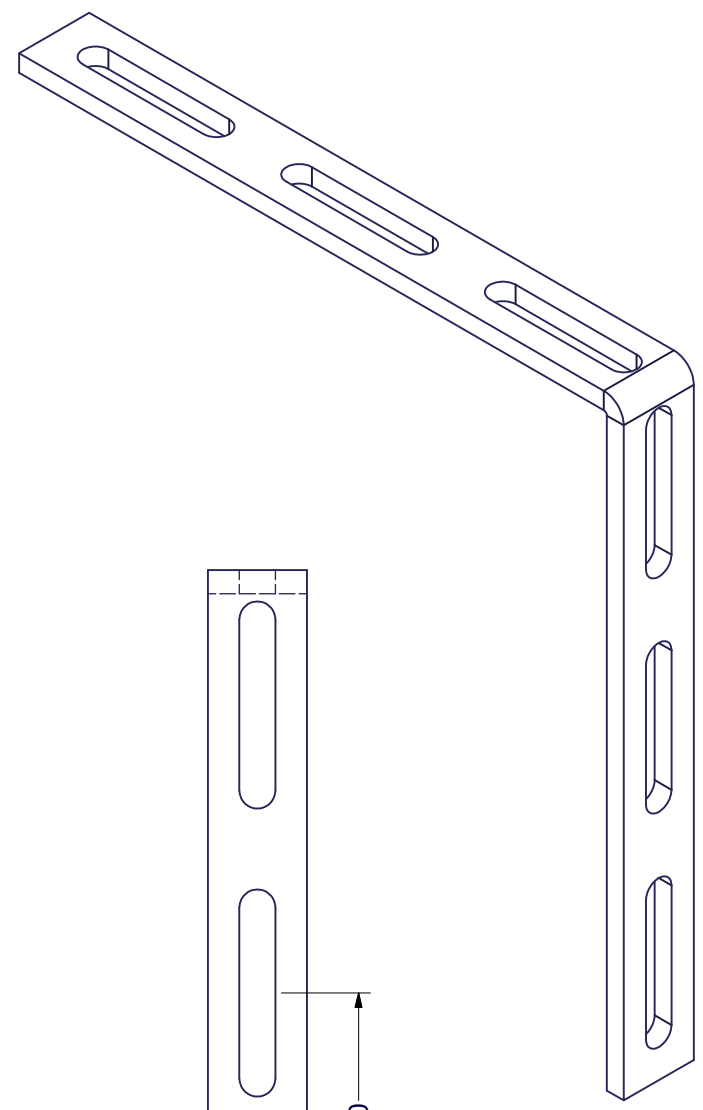
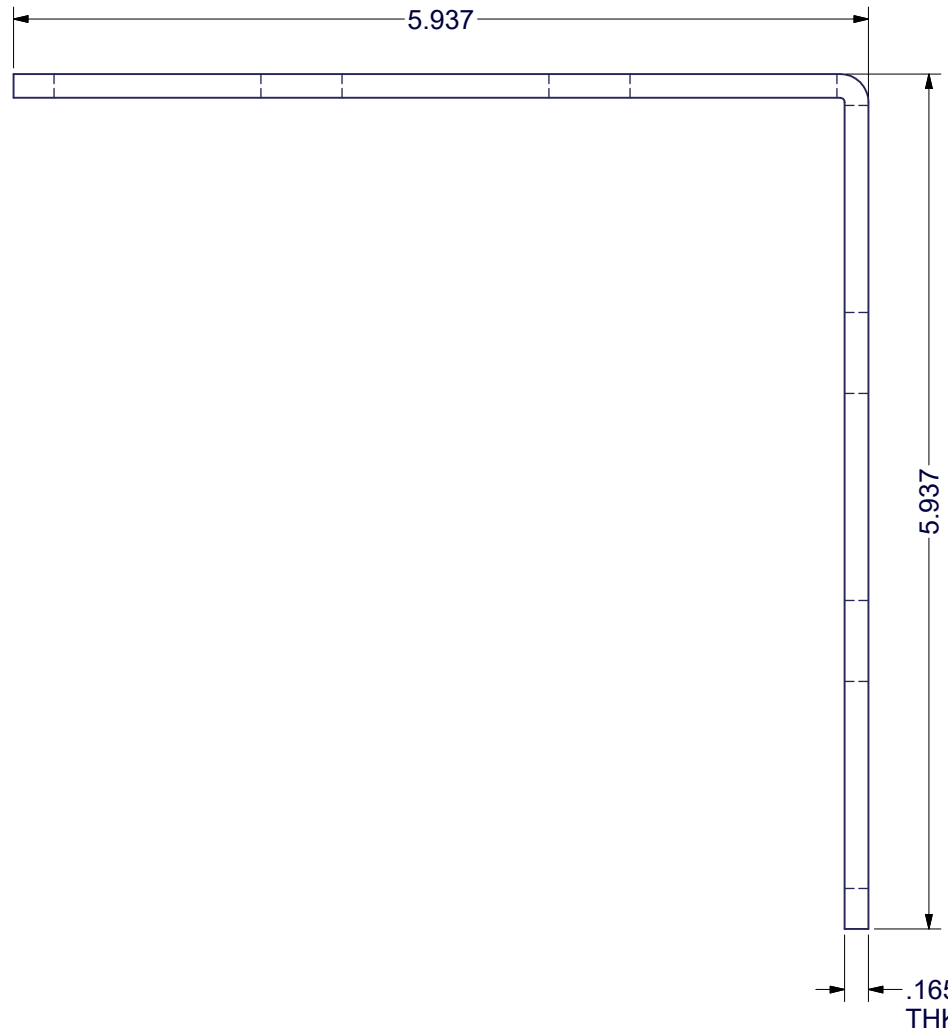
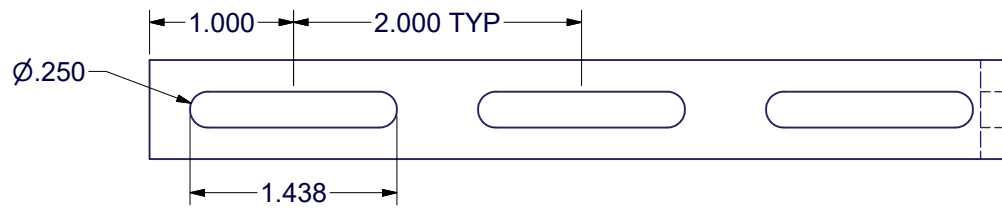


REVISION HISTORY			
REV	DESCRIPTION	DATE	APPROVED
0	ECO-07965	9/14/20	CND



**SPECIAL NOTES:**  
 1) PART NUMBER INCLUDES (2) BRACKETS AND HARDWARE

EST. WEIGHT :  
 N/A



INTERPRET DRAWING PER ASME Y14.5M-1994  
 DIMENSIONAL LIMITS APPLY  
 AFTER APPLICATION OF FINISH  
 DRAWING NOT TO SCALE  
 TOLERANCE UNLESS OTHERWISE NOTED:  
 ANGULAR +/- 1°  
 .XXXX +/- .010  
 .XXX +/- .015  
 .XX +/- .030  
 .X FOR REF. ONLY  
 UNLESS OTHERWISE SPECIFIED  
 ALL DIMENSIONS ARE IN INCHES

**NOTICE:**

Use of this document is subject to a confidentiality and nondisclosure agreement with Great Lakes Data Racks & Cabinets and may not be reproduced, disclosed or utilized in whole or in part without prior written authorization from Great Lakes.

PART NUMBER:  
**GL-CORNER SPLICE**  
 MATERIAL TYPE:  
**STEEL**  
 MATERIAL GAUGE:  
**0.165 in**  
 FINISH:  
 -  
 DRAWN  
 VL  
 CHECKED & APP.  
 CND  
 DATE  
 9/10/2020  
 DATE  
 9/14/20

TITLE  
**CABLE TRAY TEE & 90° BEND KIT**  
**GREAT LAKES DATA RACKS & CABINETS**  
 P.O. BOX 551 EDINBORO, PA 16412  
 PHONE (814) 734-7303 FAX (814) 734-3907  
 E-MAIL info@greatcabinets.com  
 DWG NO:  
**1032573**  
 REV  
**0**  
 SHEET: 1 OF 1