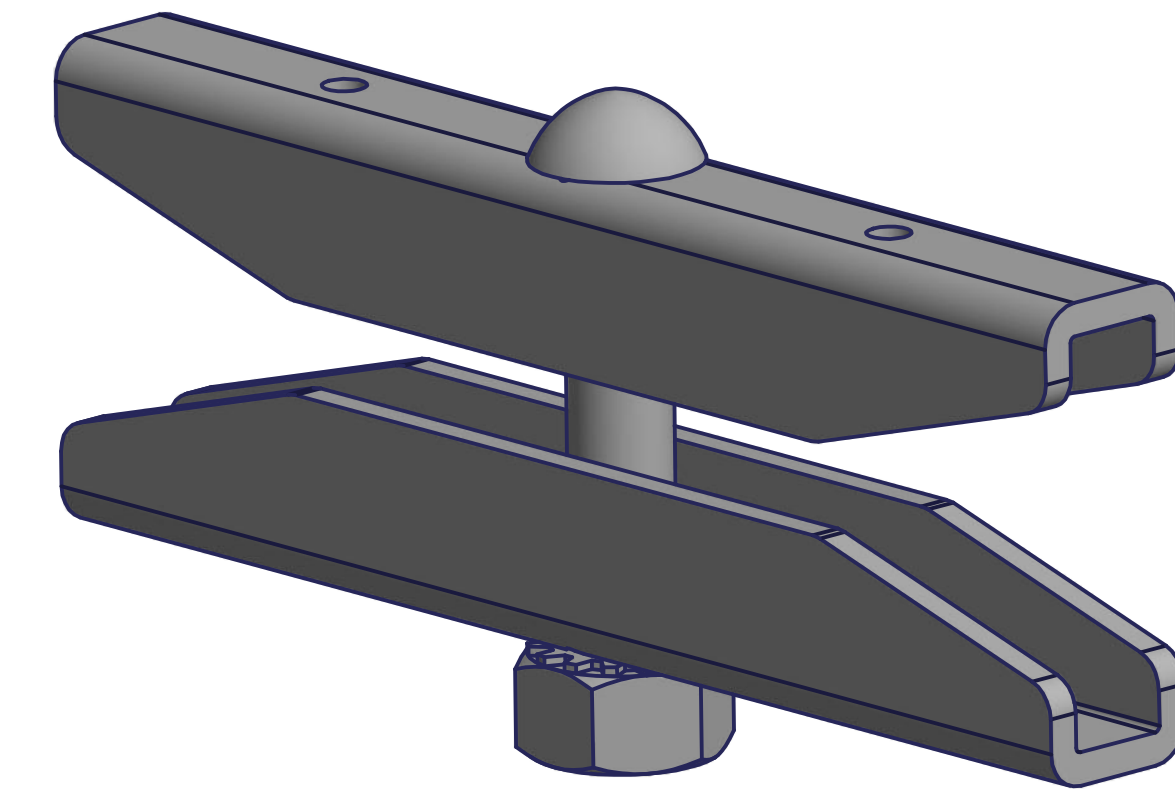
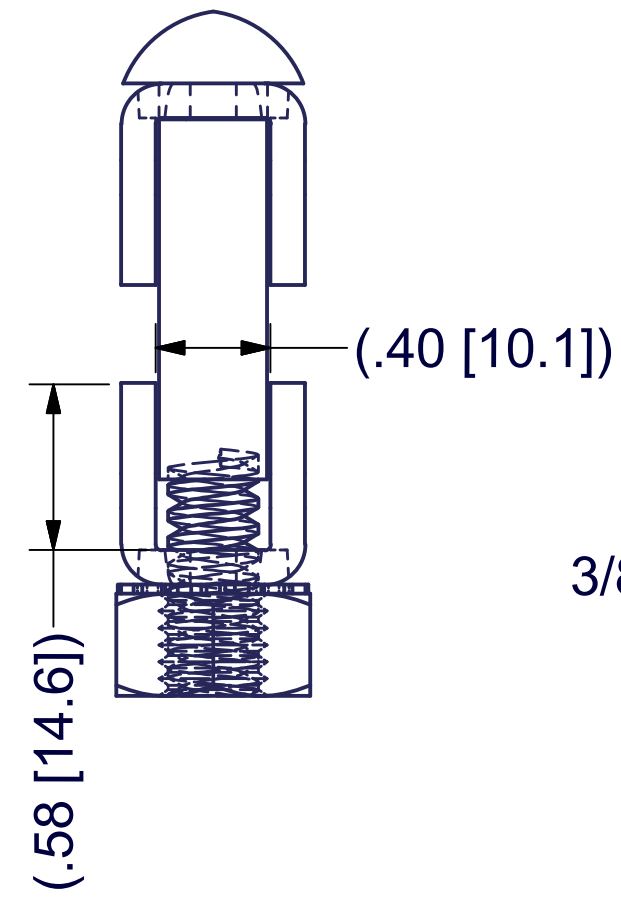
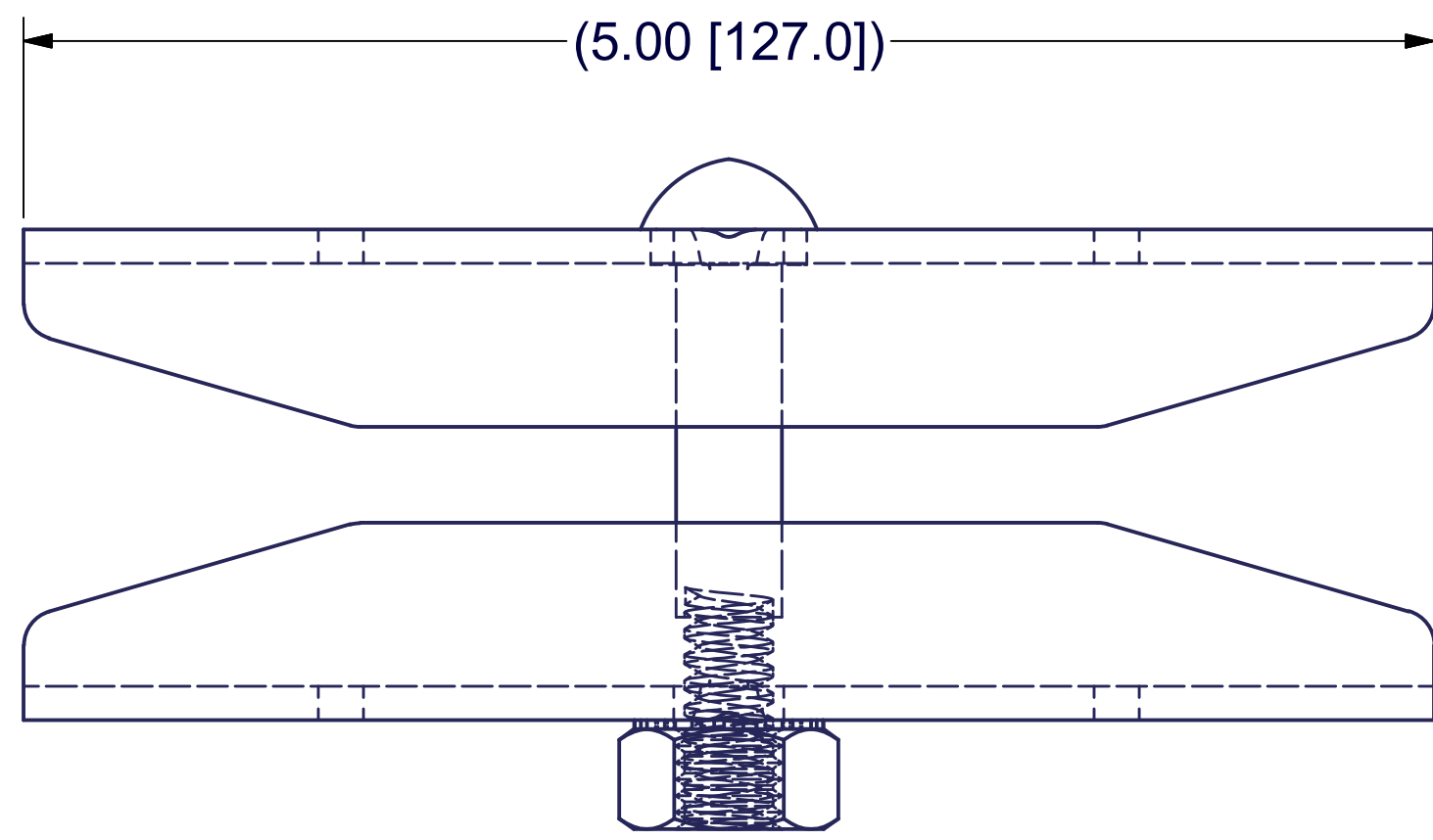
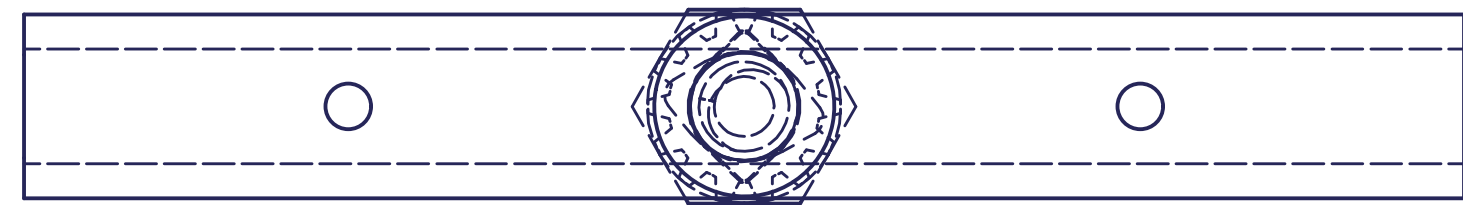
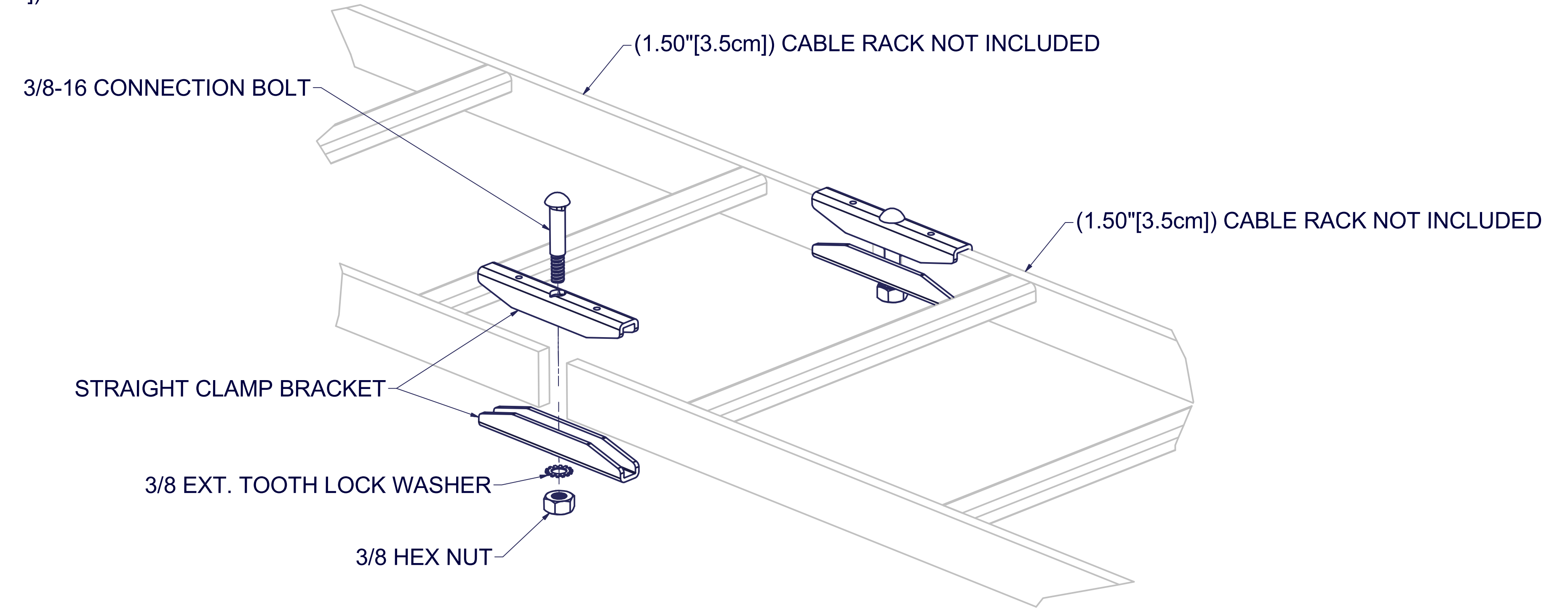


REVISION HISTORY			
REV	DESCRIPTION	DATE	APPROVED
0	ECO-08001	10/28/2020	HM



BUTT SPLICE SET



TYPICAL INSTALLATION VIEW

NOTE: KIT CONSISTS OF (2) BUTT SPLICE SETS

SPECIFICATIONS:

1. DIMENSIONS ARE IN INCHES[MM] UNLESS SPECIFIED OTHERWISE.

EST. WEIGHT :	N/A
THIRD ANGLE PROJECTION	

INTERPRET DRAWING PER ASME Y14.5M-1994
DIMENSIONAL LIMITS APPLY AFTER APPLICATION OF FINISH
DRAWING NOT TO SCALE
TOLERANCE UNLESS OTHERWISE NOTED:
ANGULAR +/- 1°
.XXXX +/- .010
.XXX +/- .015
.XX +/- .030
.X FOR REF. ONLY
UNLESS OTHERWISE SPECIFIED ALL DIMENSIONS ARE IN INCHES

NOTICE:
Use of this document is subject to a confidentiality and nondisclosure agreement with Great Lakes Data Racks & Cabinets and may not be reproduced, disclosed or utilized in whole or in part without prior written authorization from Great Lakes.
Product specification, price & availability are subject to change without prior notice.

PART NUMBER:	GL-CR-BSK
MATERIAL TYPE:	STEEL
MATERIAL GAUGE:	
FINISH:	ZINC PLATED
DRAWN:	henrym
CHECKED & APP.:	CND
DATE:	10/29/2020
DATE:	10/28/20

TITLE:	BUTT SPLICE KIT, ZINC PLATED
GREAT LAKES DATA RACKS & CABINETS	
P.O. BOX 551 EDINBORO, PA 16412	
PHONE (814) 734-7303 FAX (814) 734-3907	
E-MAIL info@greatcabinets.com	
DWG NO:	1032866
REV:	0
SHEET:	1 OF 1