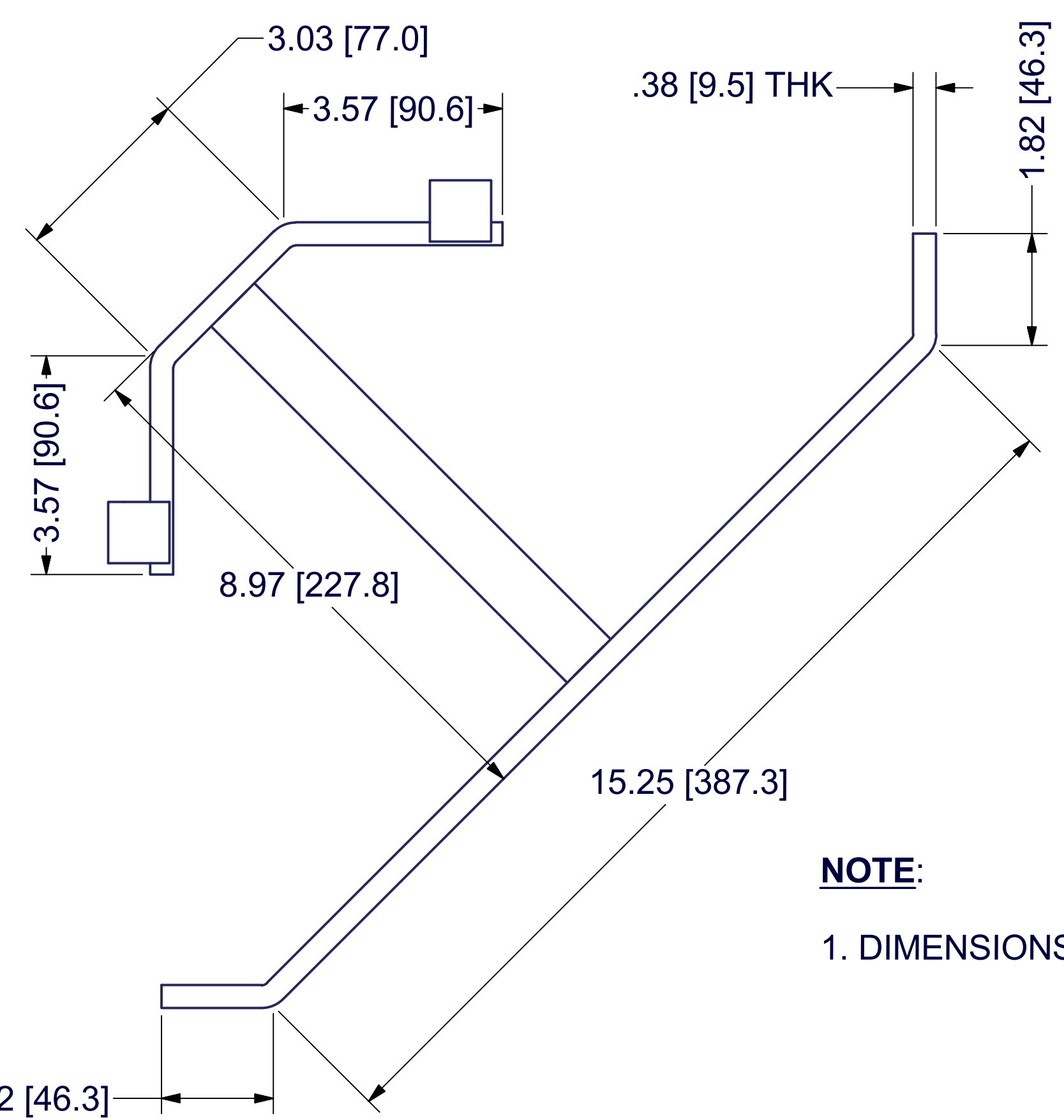
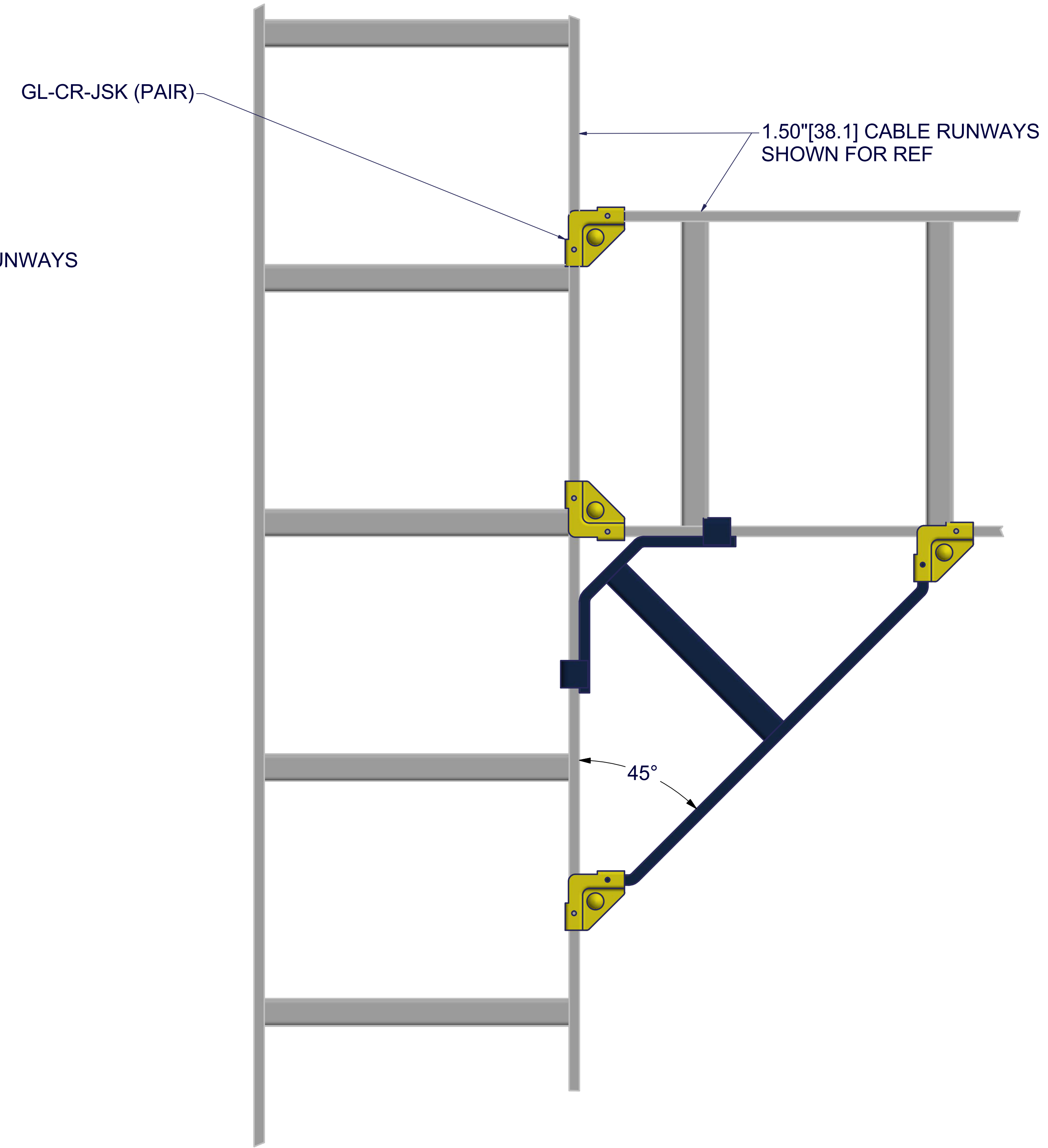
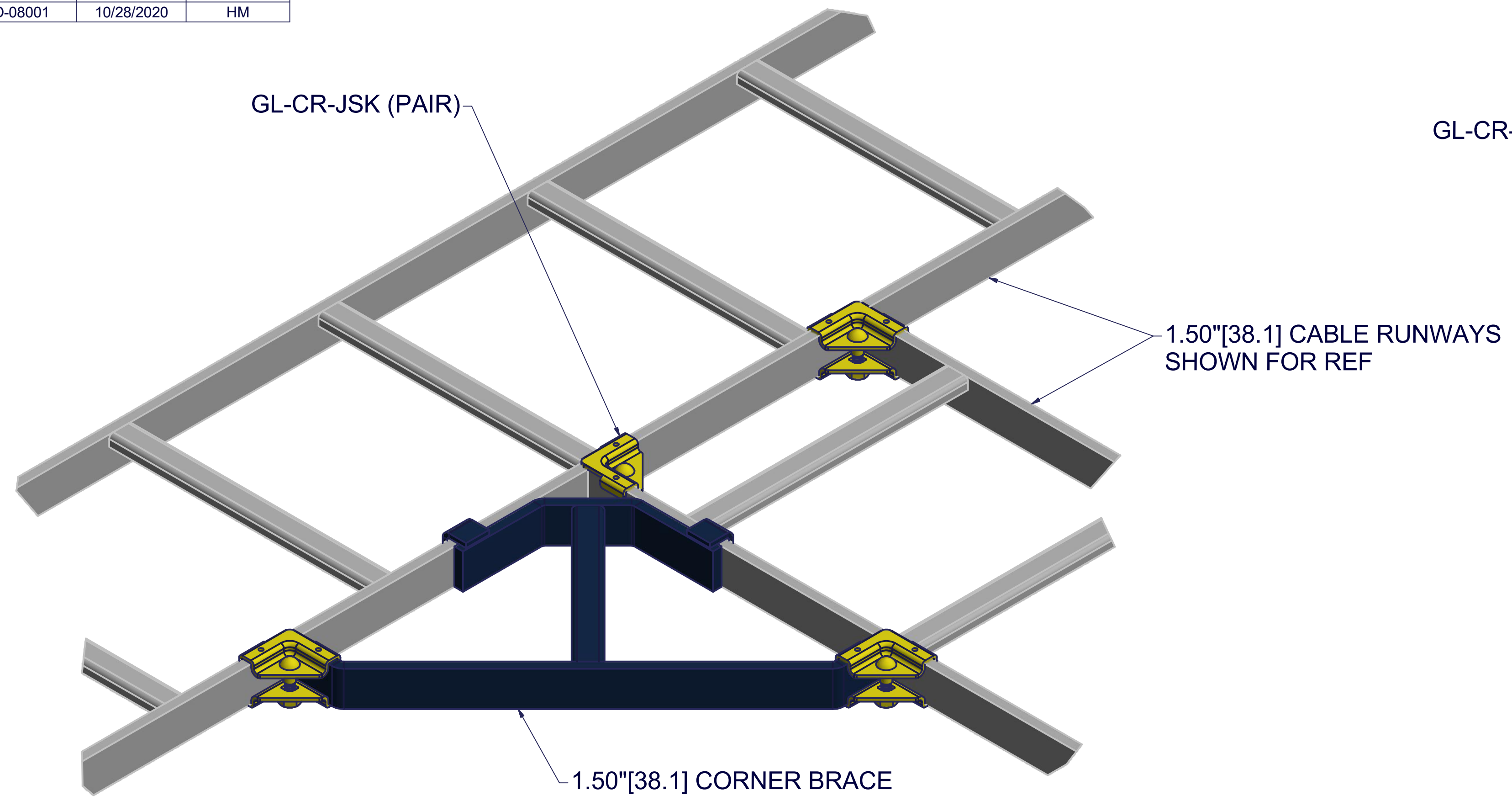


REVISION HISTORY			
REV	DESCRIPTION	DATE	APPROVED
0	ECO-08001	10/28/2020	HM



**NOTE:**  
1. DIMENSIONS ARE IN INCHES[MM] UNLESS SPECIFIED OTHERWISE.

EST. WEIGHT :  
N/A

THIRD ANGLE  
PROJECTION

INTERPRET DRAWING PER ASME Y14.5M-1994  
DIMENSIONAL LIMITS APPLY  
AFTER APPLICATION OF FINISH  
DRAWING NOT TO SCALE  
TOLERANCE UNLESS OTHERWISE NOTED:  
ANGULAR +/- 1'  
.XXXX +/- .010  
.XXX +/- .015  
.XX +/- .030  
.X FOR REF. ONLY  
UNLESS OTHERWISE SPECIFIED  
ALL DIMENSIONS ARE IN INCHES

**NOTICE:**  
Use of this document is subject to a confidentiality and nondisclosure agreement with Great Lakes Data Racks & Cabinets and may not be reproduced, disclosed or utilized in whole or in part without prior written authorization from Great Lakes.  
Product specification, price & availability are subject to change without prior notice.

PART NUMBER:  
**GL-CR-CB24**  
MATERIAL TYPE:  
**STEEL**  
MATERIAL GAUGE:  
**BLACK**  
DRAWN  
henrym  
CHECKED & APP.  
CND

TITLE  
CORNER BRACE @ TURN FOR 1.50" CABLE RACKW W/ GL-CR-JSK CORNER CLAMP KIT HDWE  
GREAT LAKES DATA RACKS & CABINETS  
P.O. BOX 551 EDINBORO, PA 16412  
PHONE (814) 734-7303 FAX (814) 734-3907  
E-MAIL info@greatcabinets.com  
DWG NO:  
**1032874**  
REV  
**0**  
SHEET: 1 OF 1