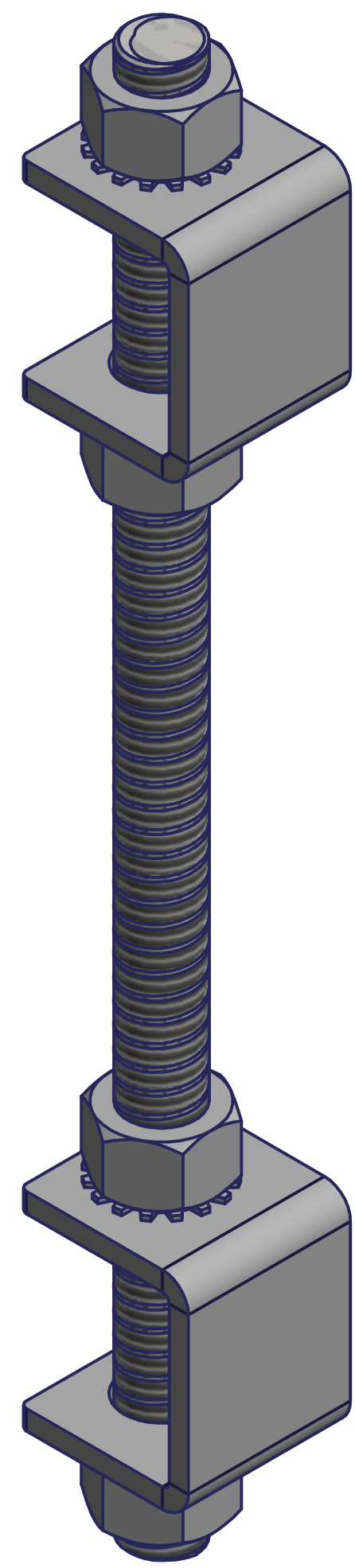


REVISION HISTORY			
REV	DESCRIPTION	DATE	APPROVED
0	ECO-08001	10/28/2020	HM



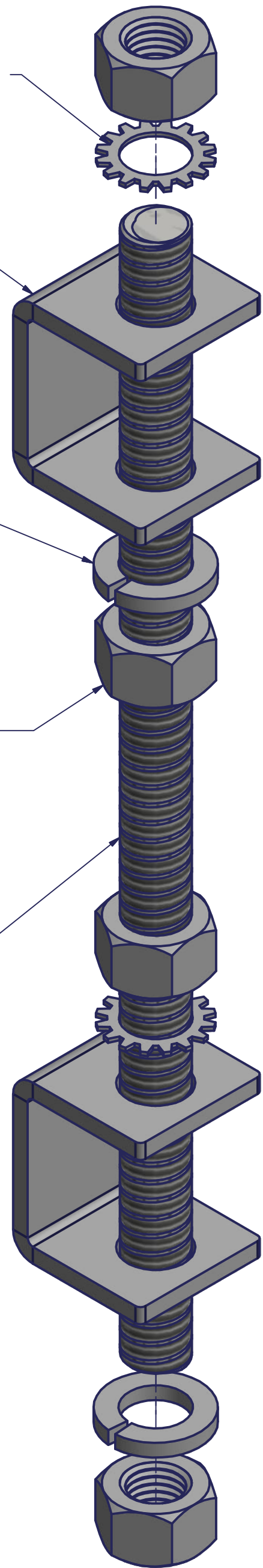
5/8" EXT. TOOTH LOCK WASHER,
ZINC YELLOW (4)

1.5" HANGING BRACKET (4)

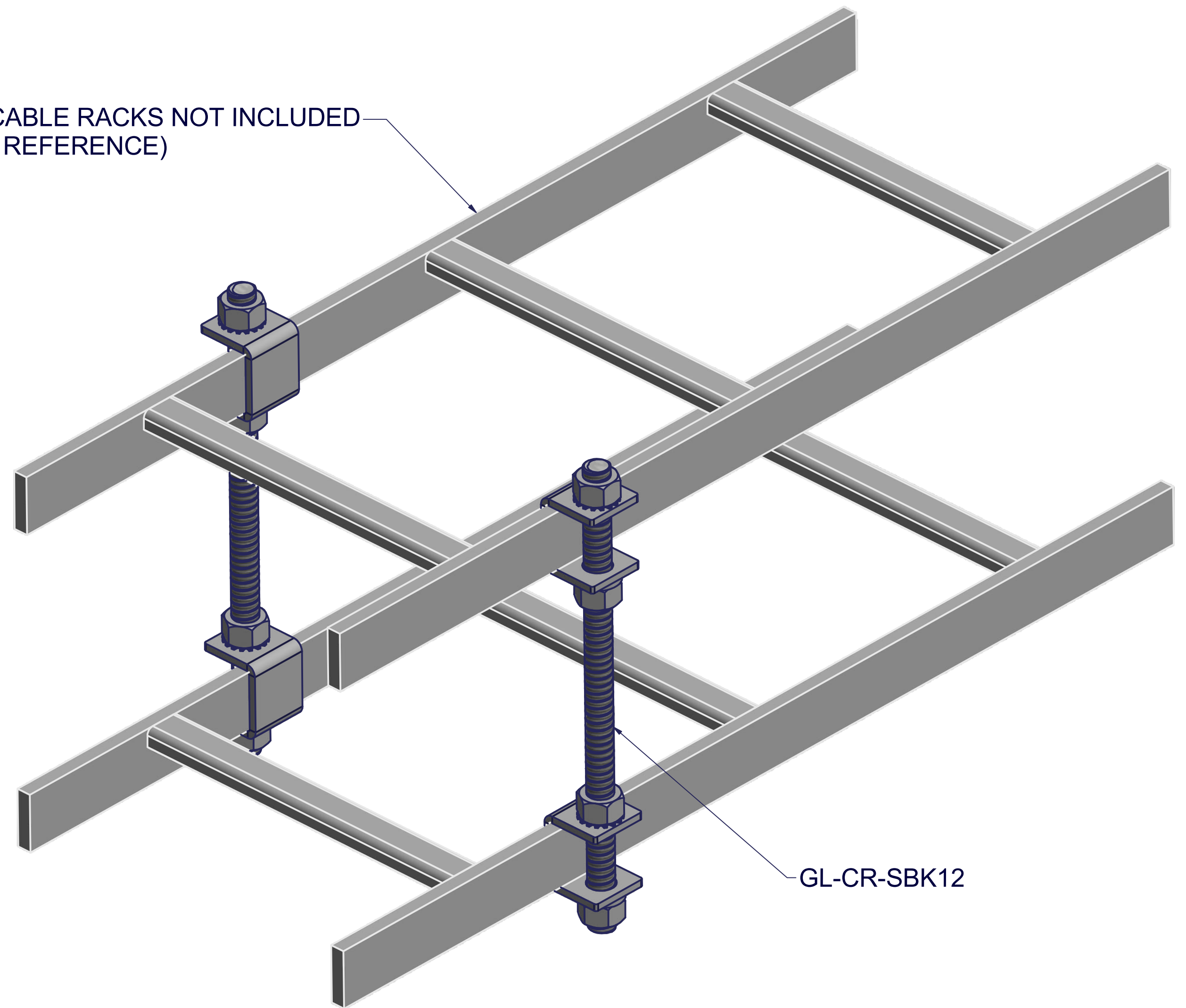
5/8" SPRING LOCK WASHER,
ZINC YELLOW (4)

5/8-11 HEX NUT, ZINC YELLOW (8)

5/8-11 THREADED ROD G2 12"[30.5cm] LG (2)



1.5"[38.1mm] CABLE RACKS NOT INCLUDED
(SHOWN FOR REFERENCE)



GL-CR-SBK12

EST. WEIGHT :
N/A



INTERPRET DRAWING PER ASME Y14.5M-1994
DIMENSIONAL LIMITS APPLY
AFTER APPLICATION OF FINISH
DRAWING NOT TO SCALE
TOLERANCE UNLESS OTHERWISE NOTED:
ANGULAR +/- .1"
.XXXX +/- .010
.XXX +/- .015
.XX +/- .030
.X FOR REF. ONLY
UNLESS OTHERWISE SPECIFIED
ALL DIMENSIONS ARE IN INCHES

NOTICE:
Use of this document is subject to a confidentiality and nondisclosure agreement with Great Lakes Data Racks & Cabinets and may not be reproduced, disclosed or utilized in whole or in part without prior written authorization from Great Lakes.
Product specification, price & availability are subject to change without prior notice.

PART NUMBER:
GL-CR-SBK12
MATERIAL TYPE:
STEEL
MATERIAL GAUGE:
FINISH:
ZINC YELLOW
DRAWN
henrym
CHECKED & APP.
CND
DATE
10/27/2020
DATE
10/28/20

TITLE
CABLE RACK SUPPORT BRACKET SET W/
5/8-11 THREADED ROD X 12.00" L
GREAT LAKES DATA RACKS & CABINETS
P.O. BOX 551 EDINBORO, PA 16412
PHONE (814) 734-7303 FAX (814) 734-3907
E-MAIL info@greatcabinets.com
DWG NO:
1032876
REV
0
SHEET: 1 OF 1