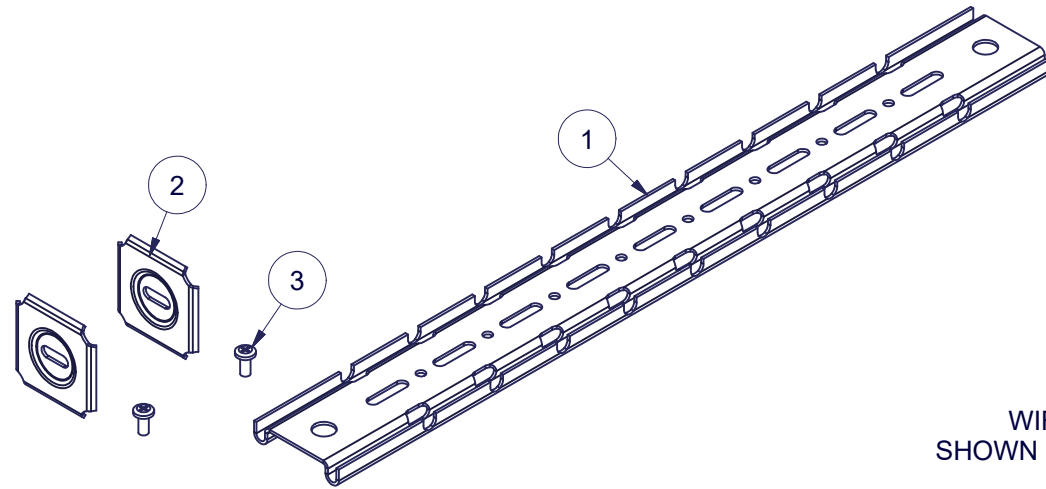


| REVISION HISTORY | | | |
|------------------|-------------|----------|----------|
| REV | DESCRIPTION | DATE | APPROVED |
| 0 | ECO-07965 | 9/4/2020 | VL |

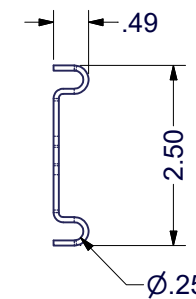
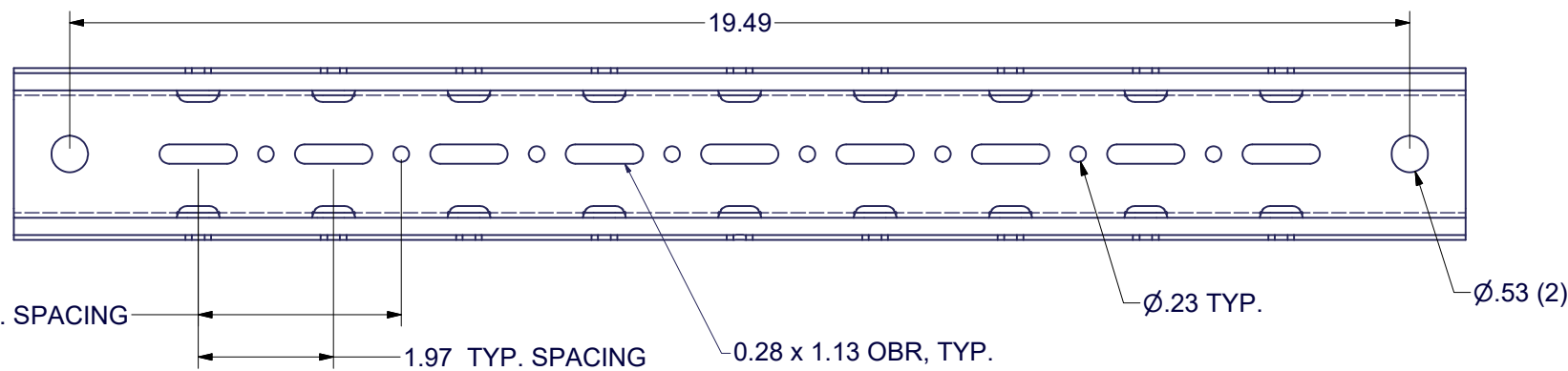
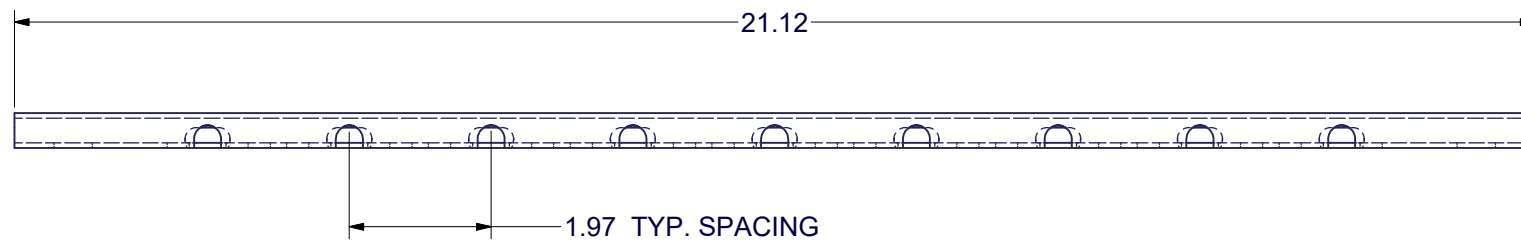
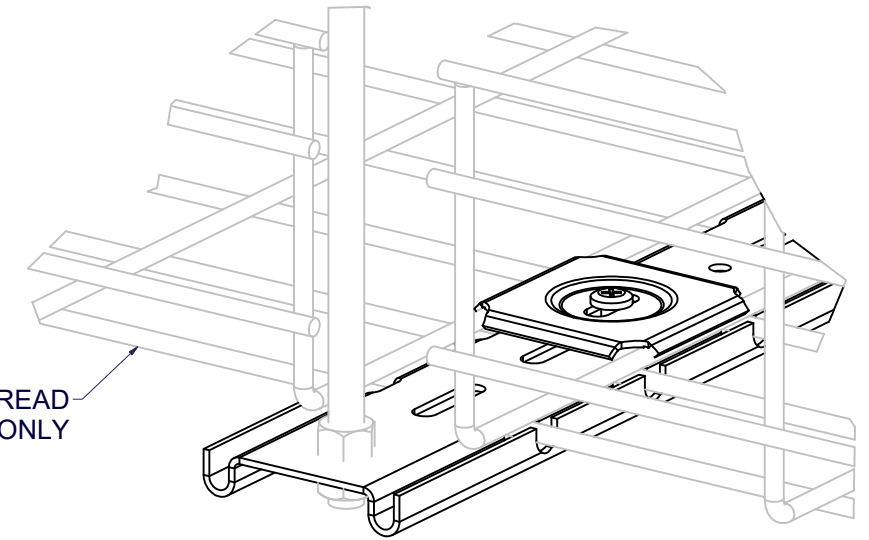
| Bill of Material | | | |
|------------------|-------------------------------------------------|-----|---------------------|
| ITEM | DESCRIPTION | QTY | FILE NAME |
| 1 | CEILING MOUNT SUPPORT BRACKET FOR 24" TRAY | 1 | CEILING SUPPORT.ipt |
| 2 | SUPPORT PLATE | 2 | WASHER SUPPORT.ipt |
| 3 | #12-24 x 1/2"L PAN HEAD PHIL TYPE 23 , ZINC PL. | 2 | H01-080.ipt |

SPECIAL NOTES:

1) PART NUMBER INCLUDES KIT OF PARTS



WIRE TRAY & ALL THREAD
SHOWN FOR REFERENCE ONLY



EST. WEIGHT :
N/A



INTERPRET DRAWING PER ASME Y14.5M-1994
DIMENSIONAL LIMITS APPLY
AFTER APPLICATION OF FINISH
DRAWING NOT TO SCALE
TOLERANCE UNLESS OTHERWISE NOTED:
ANGULAR +/- 1°
.XXXX +/- .010
.XXX +/- .015
.XX +/- .030
.X FOR REF. ONLY
UNLESS OTHERWISE SPECIFIED
ALL DIMENSIONS ARE IN INCHES

NOTICE:

Use of this document is subject to a confidentiality and nondisclosure agreement with Great Lakes Data Racks & Cabinets and may not be reproduced, disclosed or utilized in whole or in part without prior written authorization from Great Lakes.

PART NUMBER:
GL-WBT-NS-CS18
MATERIAL TYPE:
STEEL
MATERIAL GAUGE:
FINISH:
ZINC
DRAWN
CAI/USD
CHECKED & APP.
CND

TITLE
CABLE TRAY SUPPORT THREADED ROD
CEILING SUPPORT FOR 18" TRAY, NO SPLICE
GREAT LAKES DATA RACKS & CABINETS
P.O. BOX 551 EDINBORO, PA 16412
PHONE (814) 734-7303 FAX (814) 734-3907
E-MAIL info@greatcabinets.com
DWG NO:
1032568
REV
0
SHEET: 1 OF 1