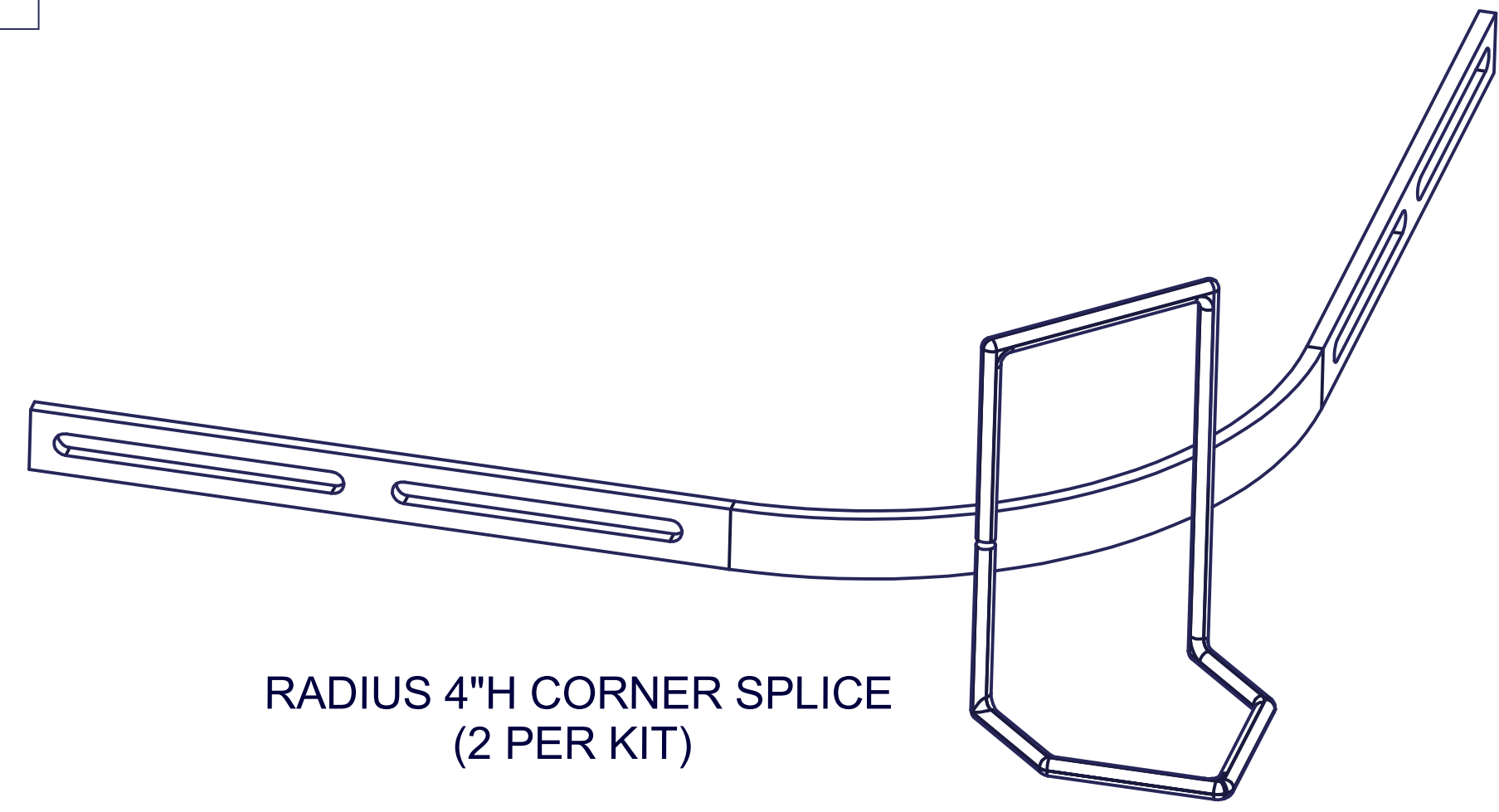
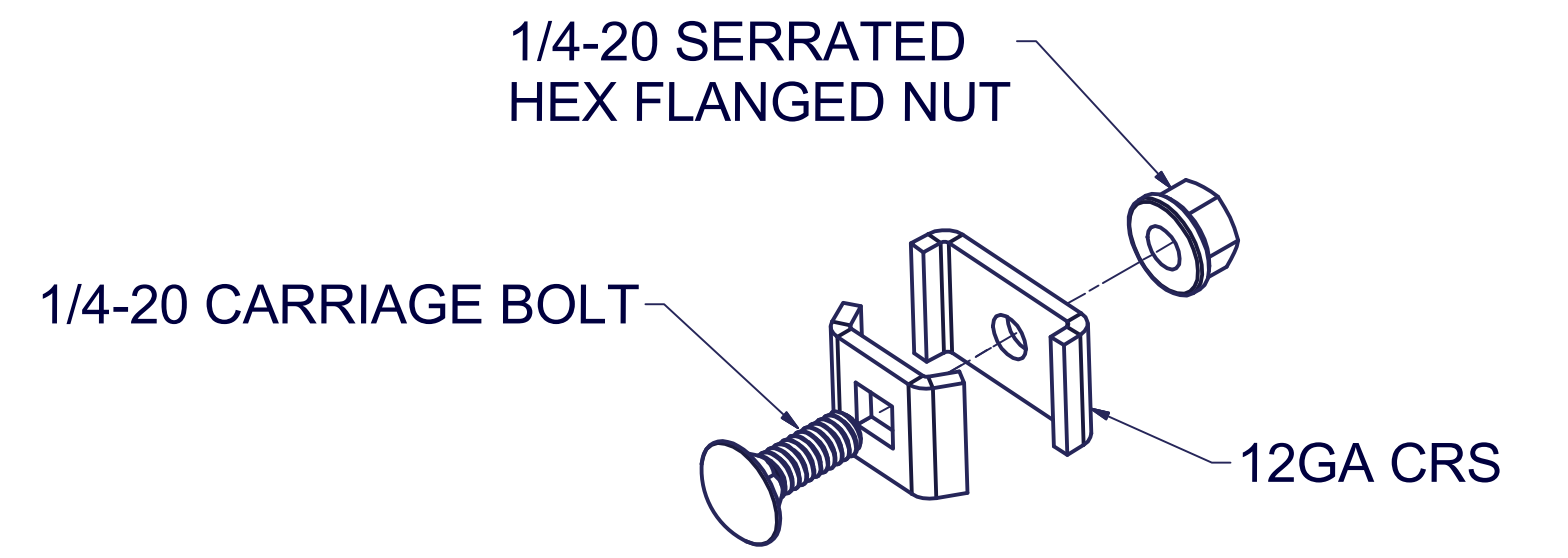


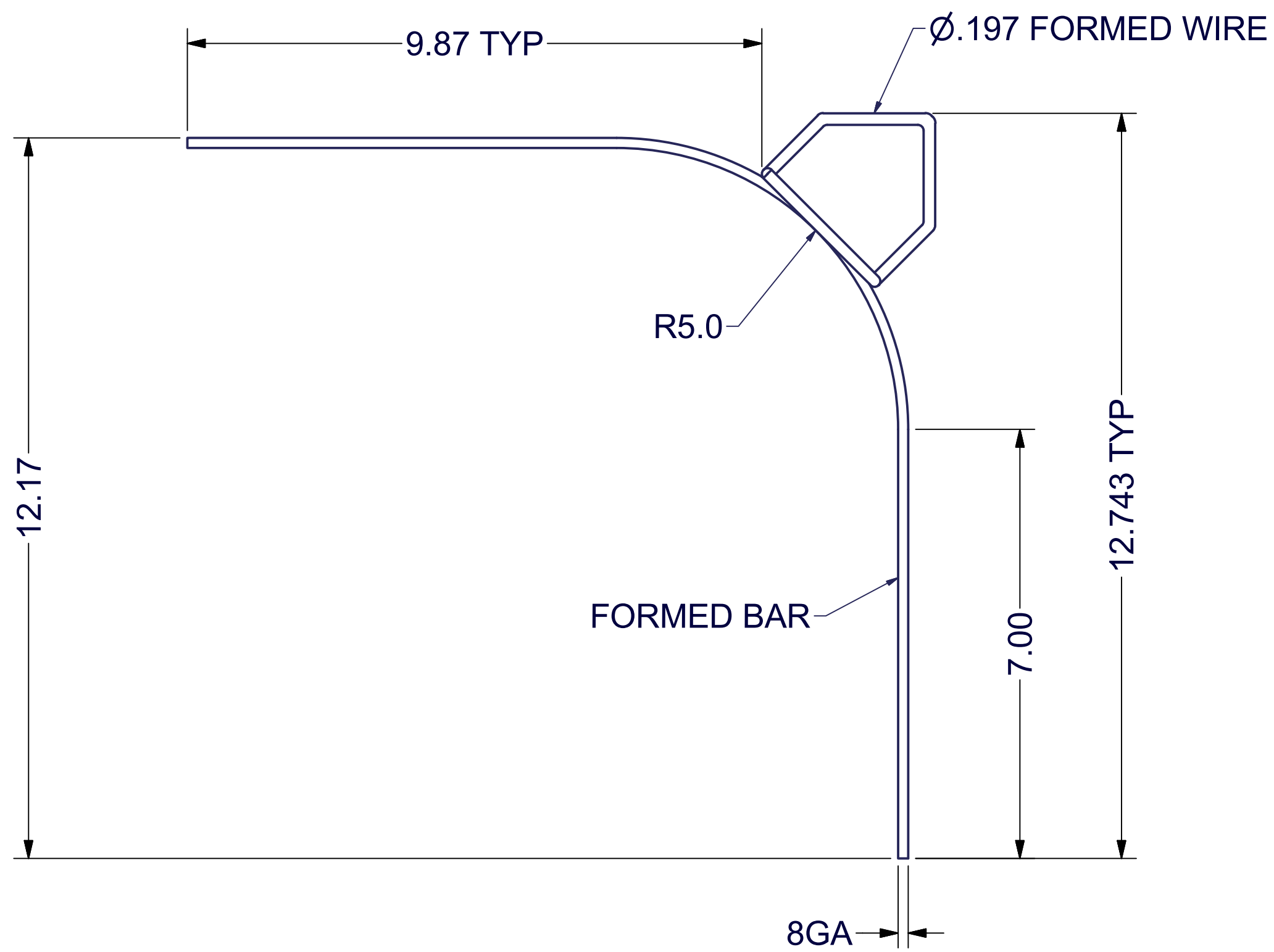
REVISION HISTORY			
REV	DESCRIPTION	DATE	APPROVED
0	ECO-08001	11/25/2020	HM



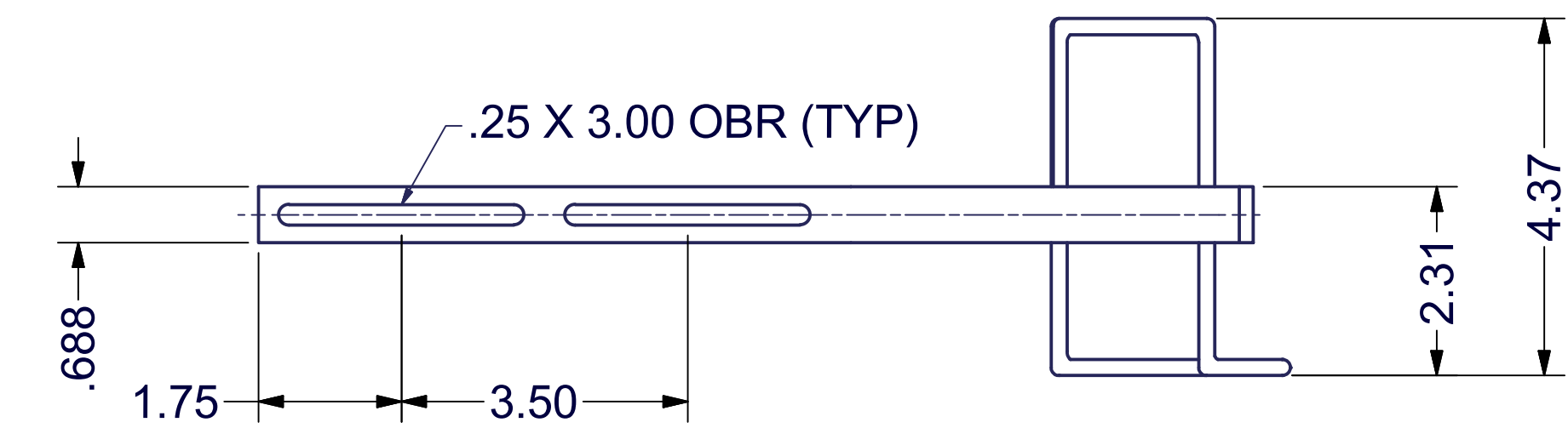
RADIUS 4"H CORNER SPLICE
(2 PER KIT)



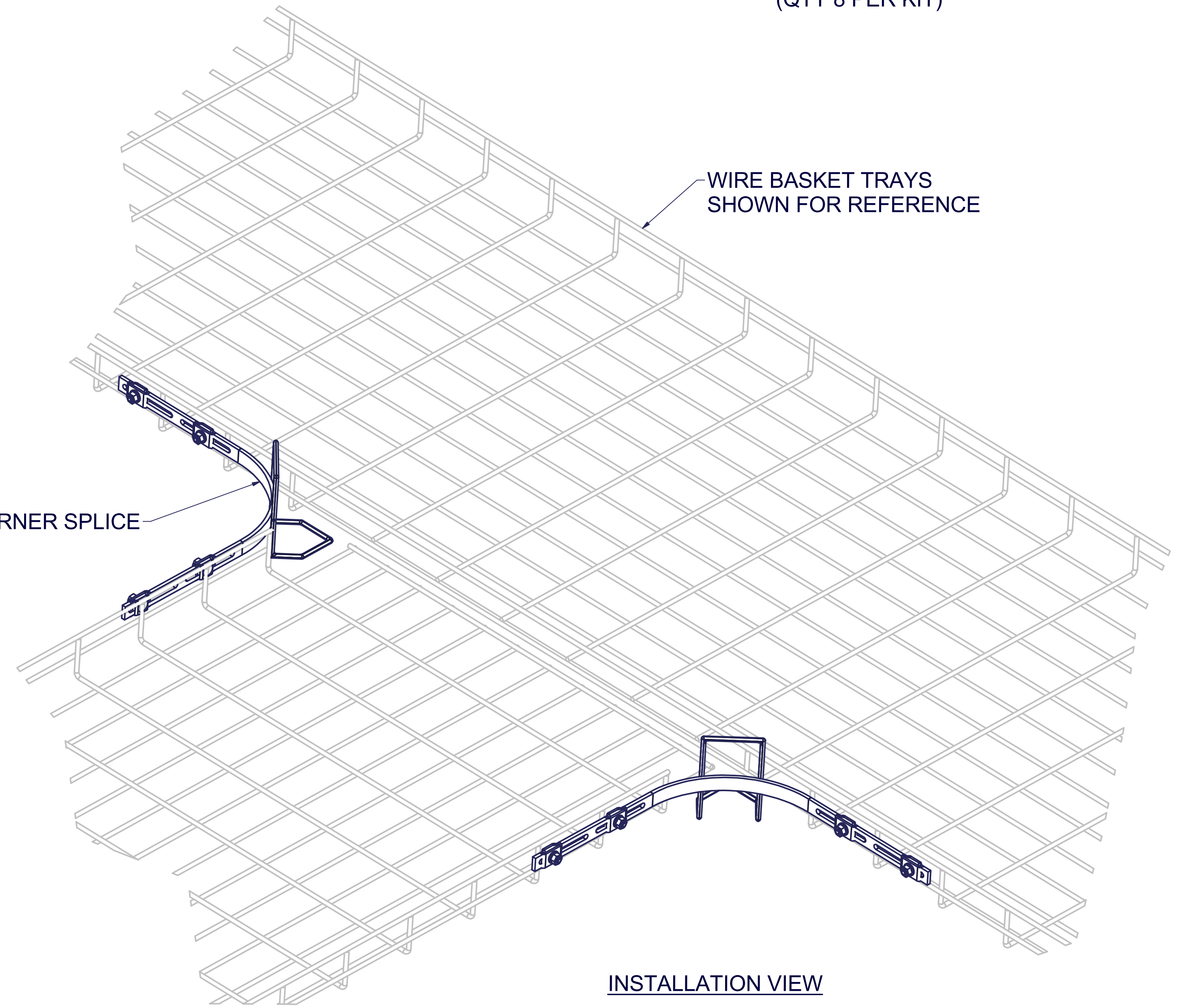
SPLICE KIT INSTALLATION HDWE
(QTY 8 PER KIT)



FORMED BAR



.25 X 3.00 OBR (TYP)



WIRE BASKET TRAYS
SHOWN FOR REFERENCE

RADIUS CORNER SPLICE
4"H (QTY 2)

INSTALLATION VIEW

EST. WEIGHT :
N/A



INTERPRET DRAWING PER ASME Y14.5M-1994
DIMENSIONAL LIMITS APPLY
AFTER APPLICATION OF FINISH
DRAWING NOT TO SCALE
TOLERANCE UNLESS OTHERWISE NOTED:
ANGULAR +/- 1'
.XXXX +/- .010
.XXX +/- .015
.XX +/- .030
.X FOR REF. ONLY

UNLESS OTHERWISE SPECIFIED
ALL DIMENSIONS ARE IN INCHES

NOTICE:

Use of this document is subject to a confidentiality and nondisclosure agreement with Great Lakes Data Racks & Cabinets and may not be reproduced, disclosed or utilized in whole or in part without prior written authorization from Great Lakes.

PART NUMBER:
GL-WBT-RCS4
MATERIAL TYPE:
CRS
MATERIAL GAUGE:
GALV
DRAWN:
henrym
CHECKED & APP.
DATE
11/24/2020
DATE
9/14/20

TITLE
RADIUS CORNER SPLICE 4" HIGH
GREAT LAKES DATA RACKS & CABINETS
P.O. BOX 551 EDINBORO, PA 16412
PHONE (814) 734-7303 FAX (814) 734-3907
E-MAIL info@greatcabinets.com
DWG NO:
1032959
REV
0
SHEET: 1 OF 1