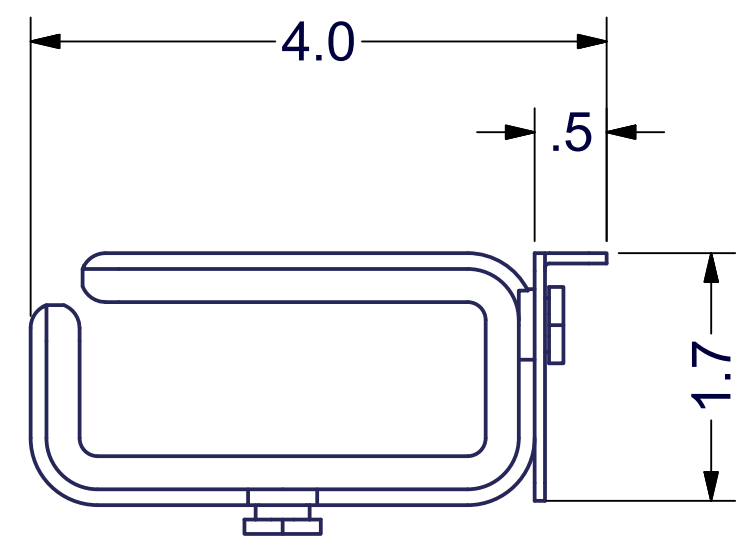
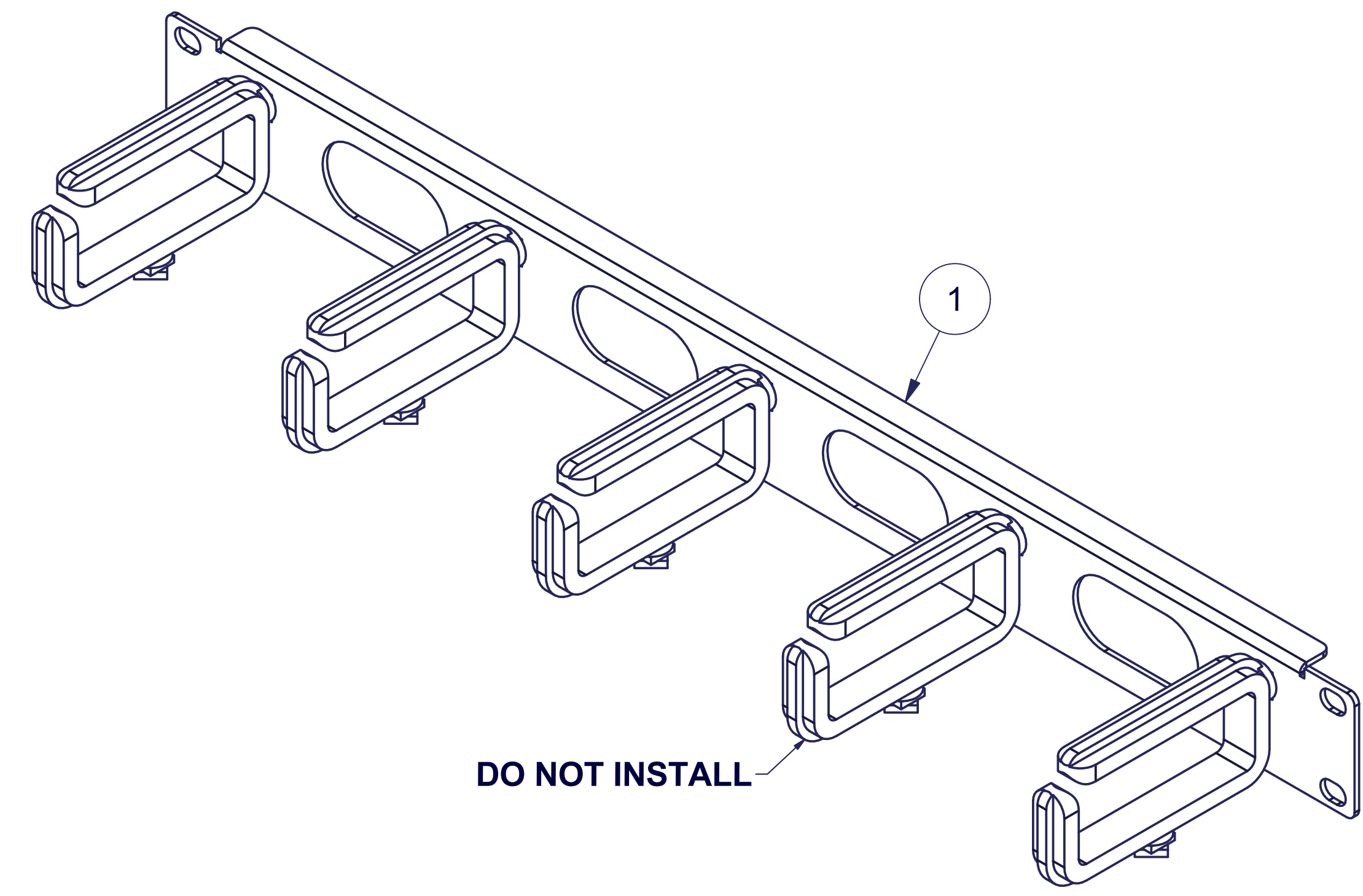
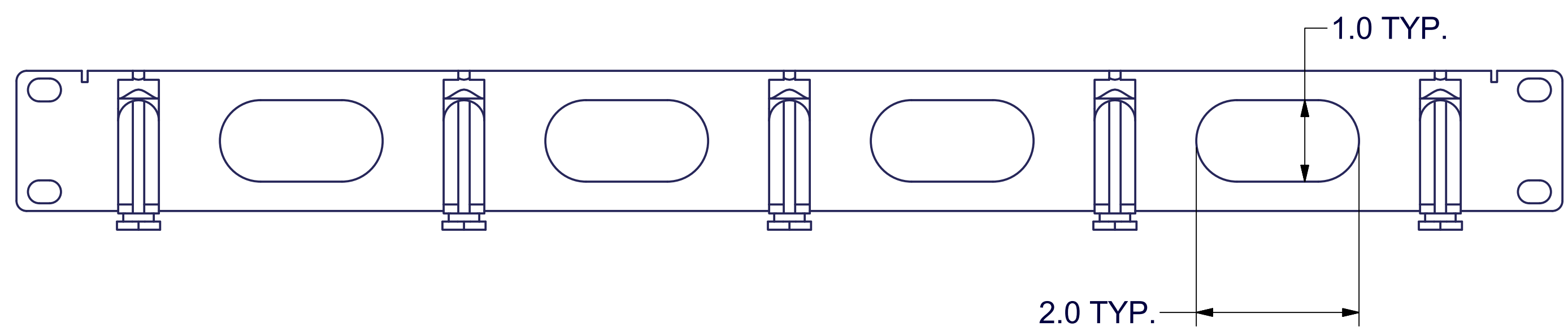
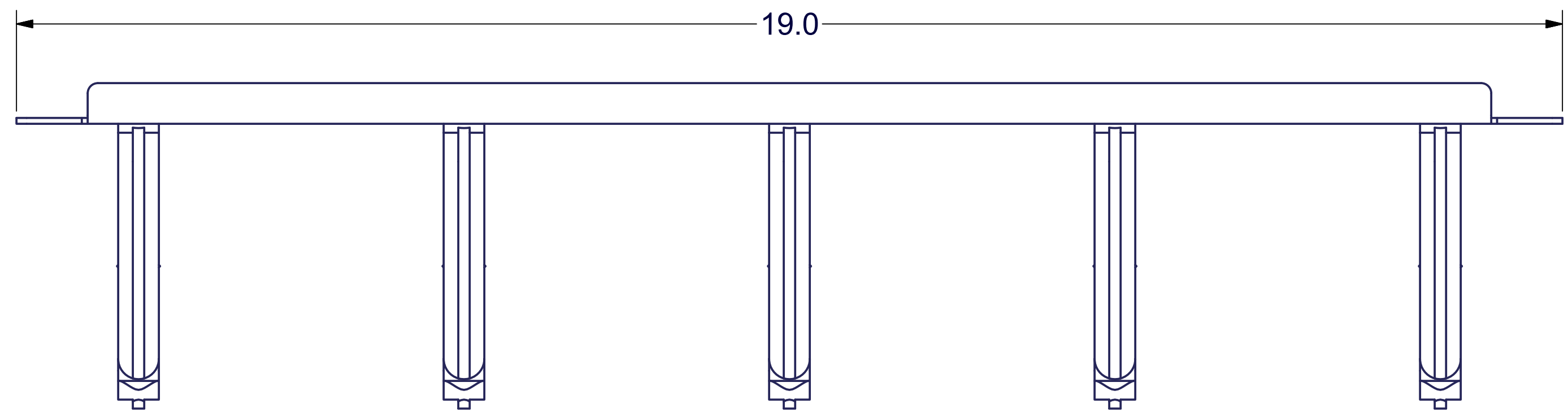


REVISION HISTORY			
REV	DESCRIPTION	DATE	APPROVED
0	ECO-07663	10/25/2019	VL

Bill of Material						
ITEM	PART NUMBER	STOCK #	QTY	DESCRIPTION	FILE NAME	Rev
1	CM05PTX100		1	1 RMU x 19" EIA CABLE MANAGER WITH (5) 1/4-TURN CABLE RINGS & CABLE PASSTHRU, DETAIL	I031634.ipt	0
2	VP-143	H13-022	5	1/4 TURN D-RING CABLE MANAGER, SMALL VERSION - SIEMON VP-143	VP-143.ipt	



SPECIAL NOTES:

- 1) REFER TO PURCHASE ORDER, SPECIAL INSTRUCTIONS MAY APPLY
- 1) DO NOT INSTALL 1/4 TURN CABLE RINGS. SHIP AS KIT OF PARTS.

EST. WEIGHT :
N/A



INTERPRET DRAWING PER ASME Y14.5M-1994
DIMENSIONAL LIMITS APPLY
AFTER APPLICATION OF FINISH
DRAWING NOT TO SCALE
TOLERANCE UNLESS OTHERWISE NOTED:
ANGULAR +/- 1'
.XXXX +/- .010
.XXX +/- .015
.XX +/- .030
.X FOR REF. ONLY
UNLESS OTHERWISE SPECIFIED
ALL DIMENSIONS ARE IN INCHES

NOTICE:
Use of this document is subject to a confidentiality and nondisclosure agreement with Great Lakes Case & Cabinet Co., Inc. (GLCC) and may not be reproduced, disclosed or utilized in whole or in part without prior written authorization from GLCC.

PART NUMBER:
CM05PTX200
MATERIAL TYPE:
SEE DETAILS
MATERIAL GAUGE:
FINISH:
SEE DETAILS
DRAWN
VL
CHECKED & APP.
DATE
10/25/2019
DATE

TITLE
1 RMU x 19" EIA CABLE MANAGER WITH (5) 1/4-TURN CABLE RINGS & CABLE PASSTHRU
GREAT LAKES CASE & CABINET CO., INC.
P.O. BOX 551 EDINBORO, PA 16412
PHONE (814) 734-7303 FAX (814) 734-3907
E-MAIL glcc@greatcabinets.com
DWG NO:
I031633
REV
0
SHEET: 1 OF 1